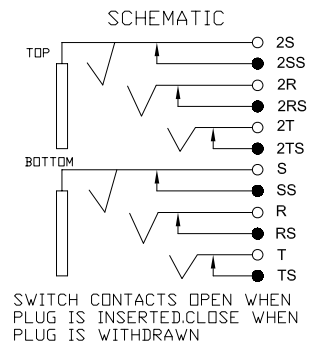
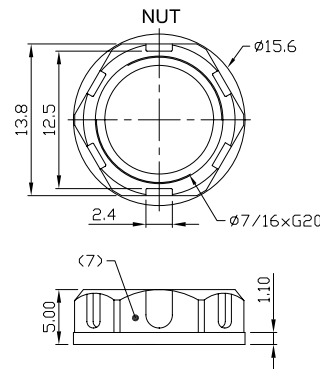
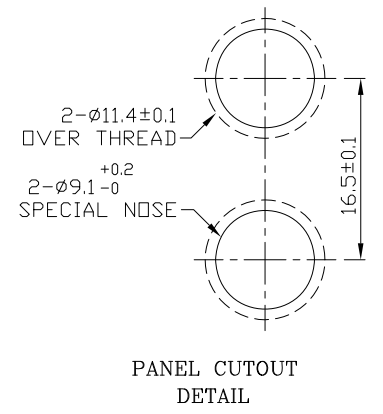
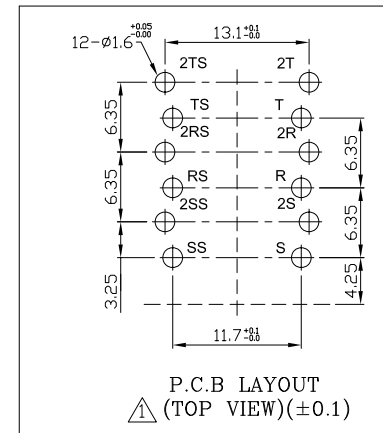
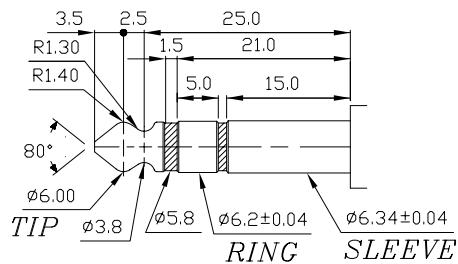


PLUG



NO	PART NAME	Q'TY	MATERIAL	PLATED	COLOR
8	WASHER	2	PAPER SHEET		RED(Figgings)
7	NUT	2	NYLON-66 G15		BLACK(Figgings)
6	CONTACT	3	C5191R-H	(Ni/Ag)	
5	CONTACT	3	C5191R-H	(Ni/Ag)	
4	HOUSING	2	PA66-G15		BLACK
3	COVER	1	PA66-G15		BLACK
2	TIP SPRING	6	C5191R-H	(Ni/Ag)	
1	SHUNT SPRING	6	C2680R-H	(Ni/Ag)	

RoHS Compliant

TOLERANCES ARE

MORETHANALL
PCB CONNECTORS
Cable ASSEMBLIES

DRAWING BY CY
CHECKED BY GENIUS
UNIT / mm SCALE 1 : 1
DATE

X, ±
.X ± 0.50
.XX ± 0.30
.XXX ± 0.15
ANG ±

照片框

ORDER INFORMATION

HJB1-R32PBNW-06C-LF
SERIES | | | | LEADFREE
| | | | 6P3C
| | | | NUT+WASHER
| | | | BACK
DIP 90° | | | | POST
HIGH 32mm

煜倫股份有限公司

www.morethanall.com

SIZE A4

PJECTION

DESCRIPTION: 6.4φ PHONE JACK