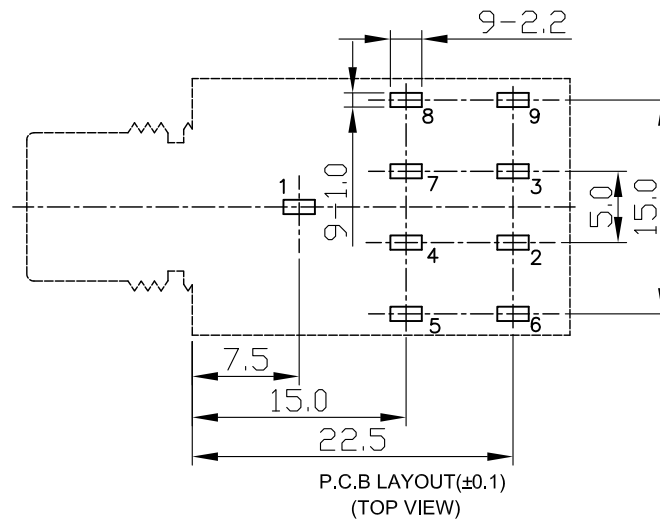
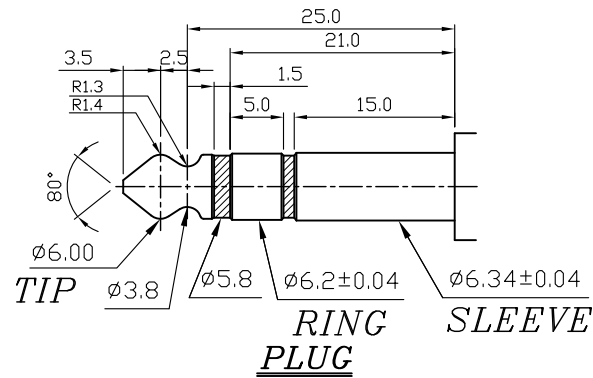
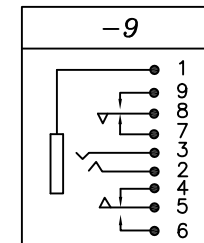


12	TERMINAL-9	1	BRONIZE	Ag
11	TERMINAL-8	1	BRONIZE	Ag
10	TERMINAL-7	1	BRASS	Ag
9	TERMINAL-6	1	BRONIZE	Ag
8	TERMINAL-5	1	BRONIZE	Ag
7	TERMINAL-4	1	BRASS	Ag
6	TERMINAL-3	1	BRONIZE	Ag
5	TERMINAL-2	1	BRONIZE	Ag
4	TERMINAL-1	1	BRONIZE	Ag
3	SEPARATOR	2	POM	
2	COVER	1	PC	
1	HOUSING	1	ABS	BLACK
NO	PART NAME	Q'TY	MATERIAL	PLATING & COLOR



Schematic:



HJ-R77-09C-LF
LEADFREE
RoHS Compliant

MORETHANALL
CONNECTORS
ASSEMBLIES

PART NO. HJ-R77-09C

DWG NO. HJ-R77-09C

FILE NO.

CHECKED BY CY

DRAWING BY

PROJECTION

TOLERANCES ARE
X. ± 0.50
.X ± 0.30
.XX ± 0.15
.XXX ±
ANG

DESCRIPTION:			
AREA	REVISIONS	DATE	

焯倫股份有限公司

UNIT / mm SCALE 1:1