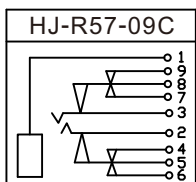
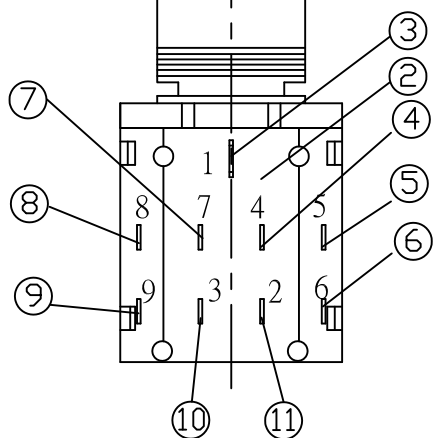


T:1.6 Dimensions of PC board holes
Tolerance : ±0.1(Printed-top view)



12	NUT	1	H59	MB:Cu Ni PLATED
11	TERMINAL	1	C5191 t=0.3	MB:Ni Ag PLATED
10	TERMINAL	1	C5191 t=0.3	MB:Ni Ag PLATED
9	RING SPRING	1	C5191 t=0.3	MB:Ni Ag PLATED
8	RING SPRING	1	C5191 t=0.3	MB:Ni Ag PLATED
7	EARTH TERMINAL	1	C5191 t=0.3	MB:Ni Ag PLATED
6	BREAK TERMINAL	1	C5191 t=0.3	MB:Ni Ag PLATED
5	BREAK TERMINAL	1	C5191 t=0.3	MB:Ni Ag PLATED
4	TIP SPRING	1	C5191 t=0.3	MB:Ni Ag PLATED
3	EARTH TERMINAL	1	C5191 t=0.3	MB:Ni Ag PLATED
2	COVER	1	POM	
1	HOUSING	1	ABS	
LTR	PART NAME	QTY	MATERIAL	REMARK

UNLESS OTHERWISE SPECIFIED, TOLERANCE ON DECIMAL: ±0.3

HJ-R57-09C-LF
LEADFREE
RoHS Compliant

MORETHANALL
CONNECTORS
ASSEMBLIES

PART NO. HJ-R57-09C

DWG NO. HJ-R57-09C

FILE NO.

CHECKED BY CY

DRAWING BY

TOLERANCES ARE

X.±
.X±
.XX±
.XXX±
ANG

DESCRIPTION: PHONE JACK

焯倫股份有限公司

UNIT / mm

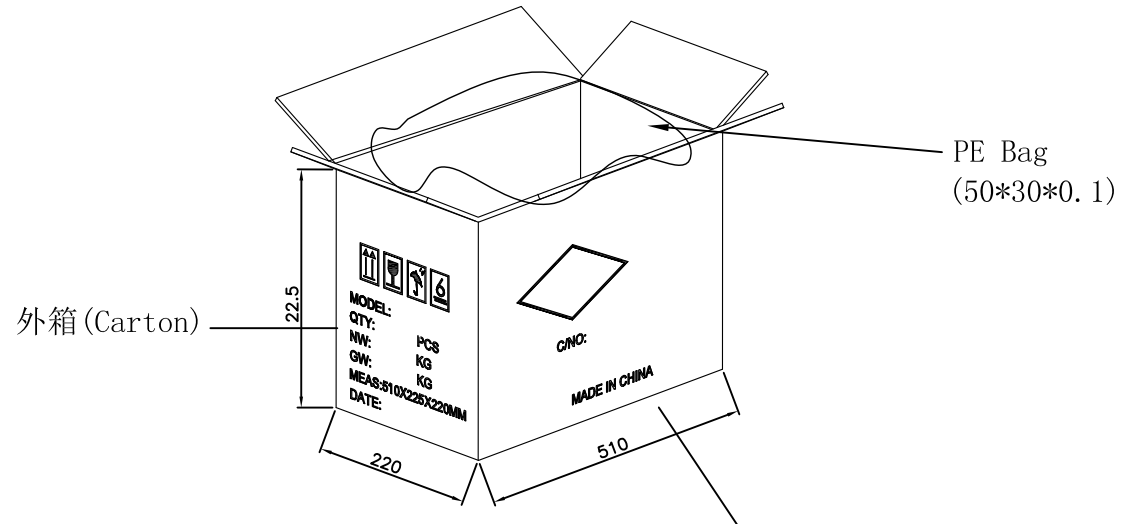
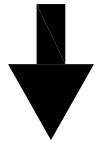
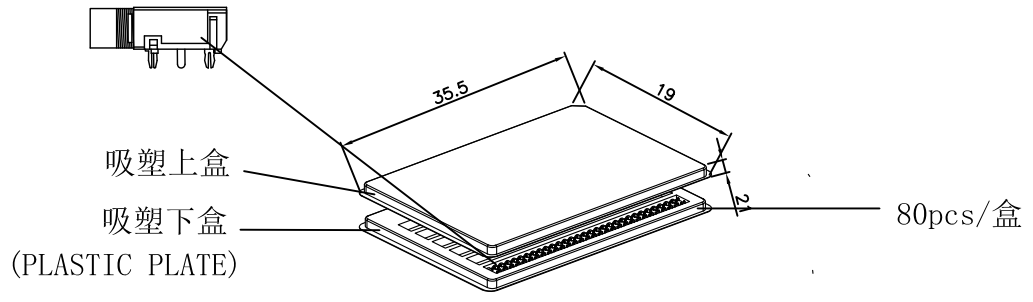
SCALE 1:1

PROJECTION

AREA

REVISIONS

DATE



淨重: 4.35kg
毛重: 5.35kg

1大箱=80pcs/盒*8盒
=800PCS

MORETHANALL
CONNECTORS
ASSEMBLIES

煜倫股份有限公司

PART NO. HJ-R57-09C

DWG NO. HJ-R57-09C

FILE NO.

UNIT / mm

SCALE 1:1

CHECKED BY CY

DRAWING BY

PROJECTION

TOLERANCES ARE

- X. ±
- .X ±
- .XX ±
- .XXX ±
- ANG

DESCRIPTION:

AREA	REVISIONS	DATE
------	-----------	------