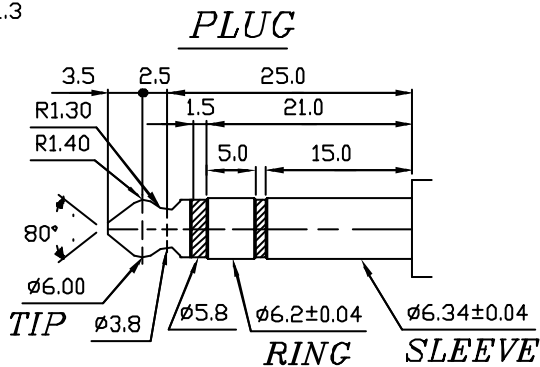
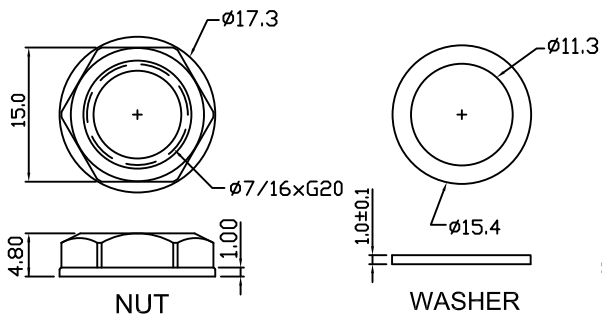


HJ-QPB-xxx-LF
LEADFREE

RoHS Compliant



NO	PART NAME	Q'TY	MATERIAL	PLATED	REMARK
2	WASHER	1	PAPER SHEET		RED
1	NUT	1	NYLON-66 94V2		BLACK

HJ-QPB-02	HJ-QPB-03B	HJ-QPB-03	HJ-QPB-04B	HJ-QPB-04C	HJ-QPB-05C	HJ-QPB-06C

NO	PART NAME	Q'TY	MATERIAL	PLATED	COLOR
5	WASER	1	PAPER SHEET t1.0		RED
4	NUT-HEXAGON	1	NYLON-66 94V2 t4.8x15		BLACK
3	HOUSING	1	NYLON-66 94V2		BLACK
2	TIP SPRING	3	P.B.S		(Ni/Ag)
1	SHUNT SPRING	3	BRASS		(Ni/Ag)

MORETHANALL
CONNECTORS
ASSEMBLIES

PART NO. HJ-QPB-xxx

DWG NO. HJ-QPB-xxx

FILE NO.

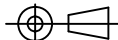
UNIT / mm

SCALE 1:1

CHECKED BY CY

DRAWING BY

PROJECTION



TOLERANCES ARE

.X ± 0.2
.XX ± 0.1
.XXX ±
AWG

DESCRIPTION: **HEADPHONE JACK**

AREA

REVISIONS

HK

DATE

煜倫股份有限公司