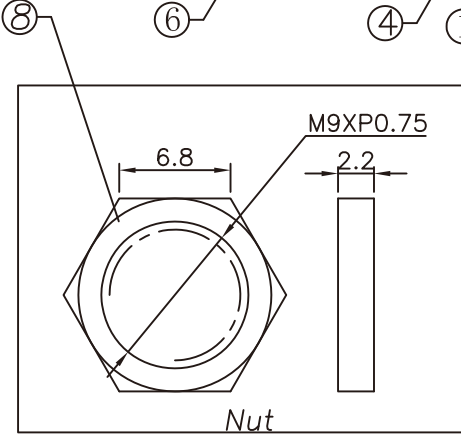
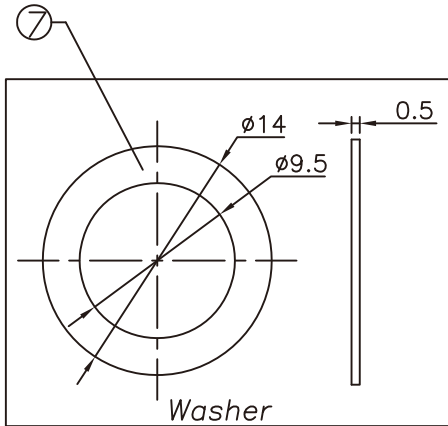
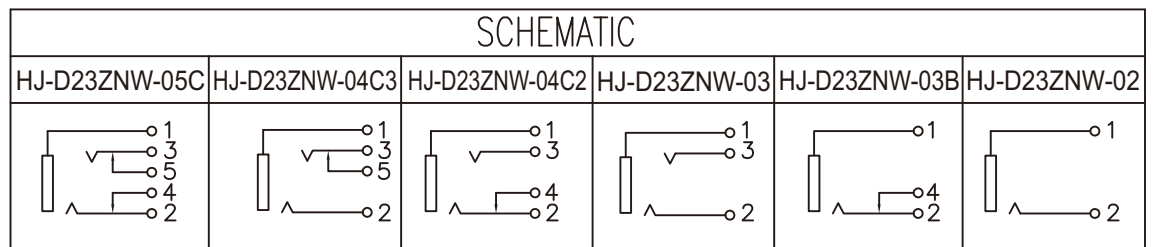


T:1.6 Dimensions of PC board holes
Tolerance : ±0.1(Printed-top view)



8	NUT	1	C2680	MB:Cu	Ni	PLATED
7	WASHER	1	IRON	MB:Cu	Ni	PLATED
6	HOUSING	1	PA66	UL-94HB		
5	CURVE PIECE	1	C2680	MB:Ni	Ag	PLATED
4	SPRING	1	C5191	MB:Ni	Ag	PLATED
3	CURVE PIECE	1	C2680	MB:Ni	Ag	PLATED
2	SPRING	1	C5191	MB:Ni	Ag	PLATED
1	CONTACT FOOT	1	C5191	MB:Ni	Ag	PLATED
LTR	PART NAME	QTY	MATERIAL	REMARK		



UNLESS OTHERWISE SPECIFIED, TOLERANCE ON DECIMAL: ±0.3

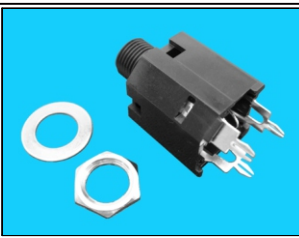
RoHS Compliant

TOLERANCES ARE

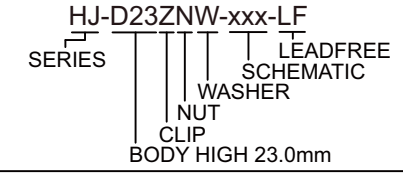
MORETHANALL
PCB CONNECTORS
Cable ASSEMBLIES
煜倫股份有限公司

DRAWING BY CY
CHECKED BY GENIUS
UNIT / mm SCALE 1:1
DATE

X. ±
.X ±
.XX ±
.XXX ±
ANG ±



ORDER INFORMATION



www.morethanall.com

SIZE A4 PPROJECTION

DESCRIPTION: PHONE JACK