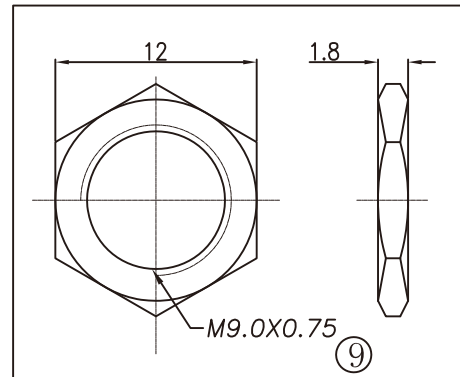
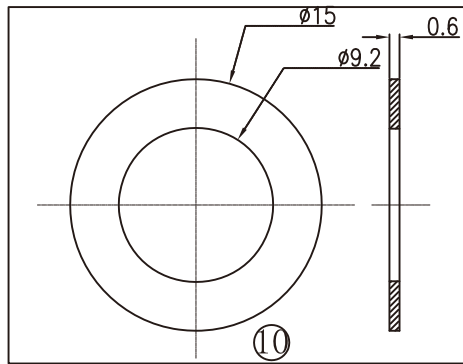
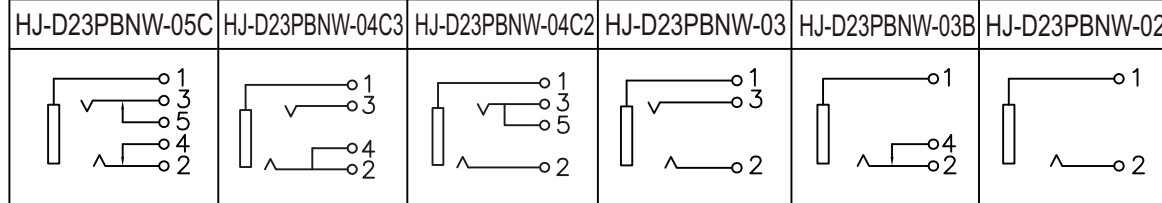


T:1.6 Dimensions of PC board holes
Tolerance : ±0.1(Printed-top view)



10	WASHER	1	IRON	MB:Cu Ni PLATED
9	NUT	1	C2680	MB:Cu Ni PLATED
8	BUSHING-2	1	C2680	MB:Cu Ni PLATED
7	SHUNT TERMINAL	1	C2680	MB:Ni Ag PLATED
6	SHUNT TERMINAL	1	C2680	MB:Ni Ag PLATED
5	RING SPRING	1	C5191	MB:Ni Ag PLATED
4	TIP SPRING	1	C5191	MB:Ni Ag PLATED
3	EARTH TERMINAL	1	C2680	MB:Ni Ag PLATED
2	BUSHING-1	1	ABS	UL-94HB(BLACK)
1	HOUSING	1	ABS	UL-94HB(BLACK)
LTR	PART NAME	QTY	MATERIAL	REMARK

SCHEMATIC



UNLESS OTHERWISE SPECIFIED, TOLERANCE ON DECIMAL: ±0.3

MORETHANALL
PCB CONNECTORS
Cable ASSEMBLIES

煜倫股份有限公司

www.morethanall.com

RoHS Compliant

DRAWING BY CY

CHECKED BY GENIUS

UNIT/mm SCALE 1:1

DATE

SIZE A4

TOLERANCES ARE

X. ±
.X ±
.XX ±
.XXX ±
ANG ±

PJECTION

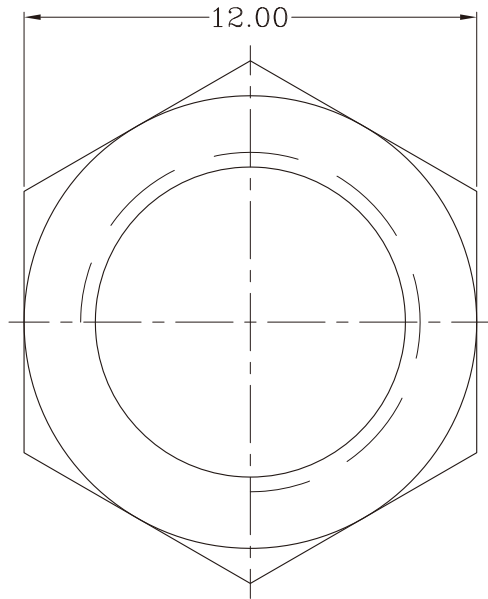


ORDER INFORMATION

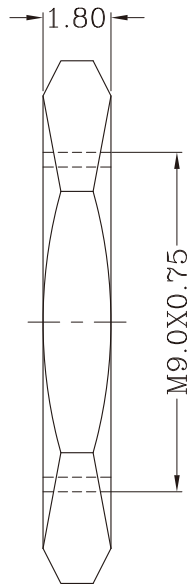
HJ-D23PBNW-xxxx-LF

SERIES | LEADFREE SCHEMATIC
BODY HIGH 23.3mm | WASHER
NUT
BACK PANEL

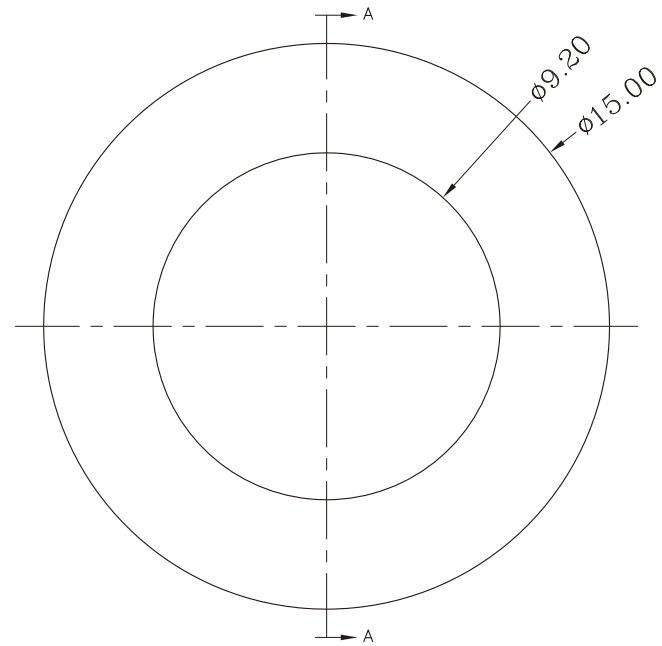
DESCRIPTION: PHONE JACK



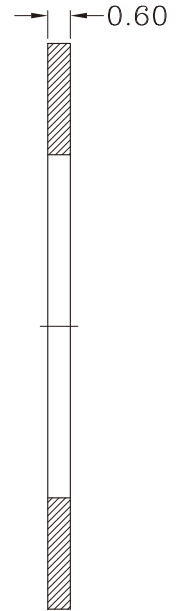
UNLESS OTHERWISE SPECIFIED, TOLERANCE ON DECIMAL: ±0.2



NUT



UNLESS OTHERWISE SPECIFIED, TOLERANCE ON DECIMAL: ±0.2



SECTION A-A

Washer

MORETHANALL
PCB CONNECTORS
Cable ASSEMBLIES

煜倫股份有限公司

www.morethanall.com

RoHS Compliant

DRAWING BY CY

CHECKED BY GENIUS

UNIT / mm SCALE 1 : 1

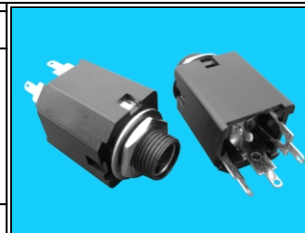
DATE

SIZE A4

TOLERANCES ARE

X. ±
.X ±
.XX ±
.XXX ±
ANG ±

P PROJECTION



ORDER INFORMATION

HJ-D23PBNW-xxxx-LF

SERIES | BODY HIGH 23.3mm | NUT | BACK PANEL | WASHER | LEADFREE SCHEMATIC

DESCRIPTION: