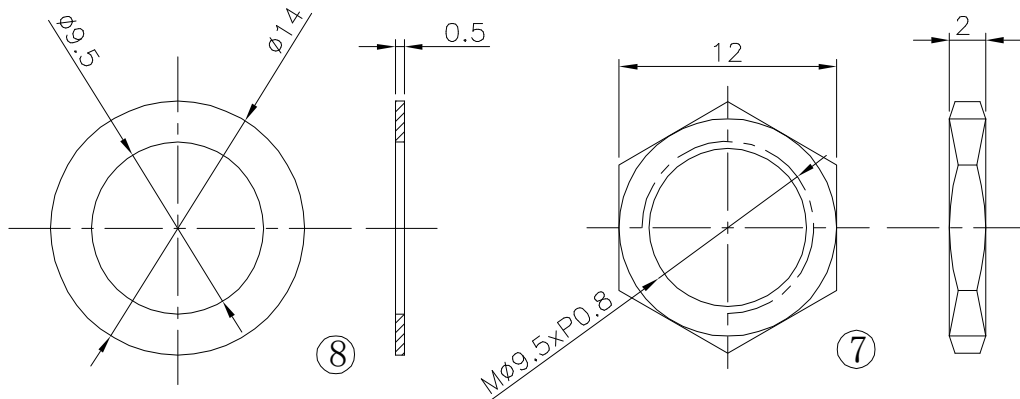


T:1.6 Dimensions of PC board holes
Tolerance : ±0.05(Printed-top view)



UNLESS OTHERWISE SPECIFIED, TOLERANCE ON DECIMAL: ±0.3

| | | | | |
|-----|----------------|-----|--------------|----------------|
| 8 | WASHER | 1 | IRON | Ni PLATED |
| 7 | NUT | 1 | C2680 | Ni PLATED |
| 6 | BUSHING-2 | 1 | COPPER ALLOY | Ni PLATED |
| 5 | SHUNT TERMINAL | 1 | C2680 | Ag PLATED |
| 4 | RING SPRING | 1 | C5191 | Ag PLATED |
| 3 | EARTH TERMINAL | 1 | C2680 | Ag PLATED |
| 2 | BUSHING-1 | 1 | ABS | UL-94HB(BLACK) |
| 1 | HOUSING | 1 | ABS | UL-94HB(BLACK) |
| LTR | PART NAME | QTY | MATERIAL | REMARK |

RoHS Compliant

TOLERANCES ARE

MORETHANALL
PCB CONNECTORS
Cable ASSEMBLIES

DRAWING BY CY

X.±

CHECKED BY GENIUS

.X±

UNIT / mm

SCALE 1 : 1

.XX±

DATE

.XXX±

ANG ±

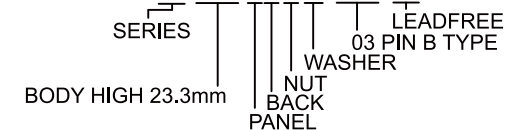
SIZE A4

PJECTION

照片框

ORDER INFORMATION

HJ-D23PBNW-03B-LF



煜倫股份有限公司

www.morethanall.com

DESCRIPTION: PHONE JACK