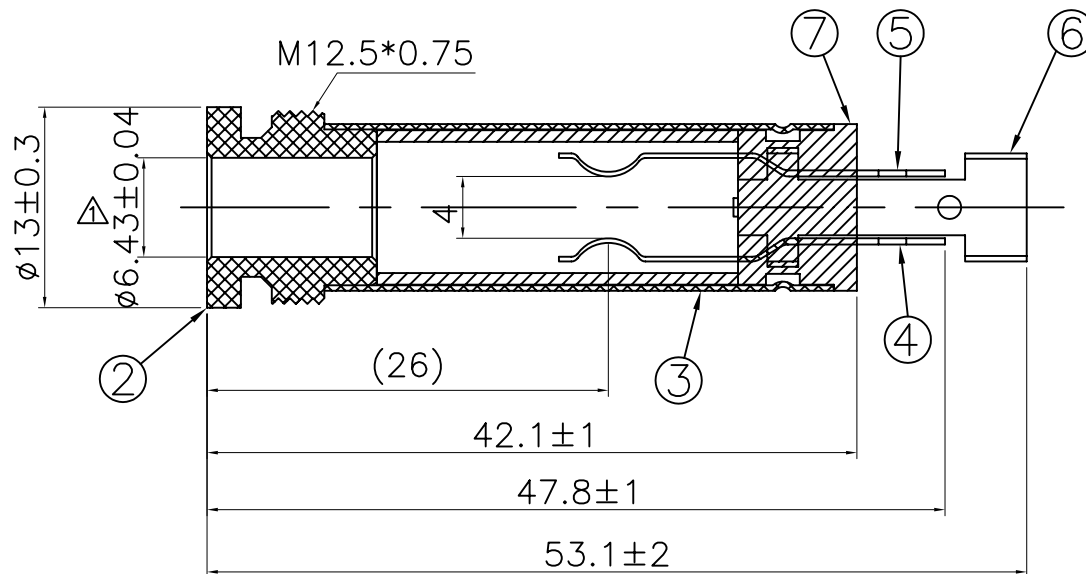


一般公差	
尺寸區分	公差
0>1.0	±0.1
1.0>6.0	±0.2
6.0>12.0	±0.3
12.0>25.0	±0.4
25.0>	±0.5



7	ABS BLACK
6	BRASS NICKEL
5	P-BRONZE GOLD
4	P-BRONZE GOLD
3	BRASS
2	BRASS NICKEL
1	PE BLACK
NO	CONTENT

RoHS Compliant

TOLERANCES ARE

**MORETHANALL**  
PCB CONNECTORS  
Cable ASSEMBLIES

DRAWING BY CY

X.±

CHECKED BY GENIUS

.X±

UNIT / mm

SCALE 1:1

.XX±

DATE

.XXX±

ANG±

SIZE A4

PJECTION

照片框

ORDER INFORMATION

HJ-A-02-LF  
SERIES | LEADFREE  
02 WAY  
ASSEMBLY

煜倫股份有限公司

www.morethanall.com

DESCRIPTION: 6.3mm MONO JACK (Assembly type)