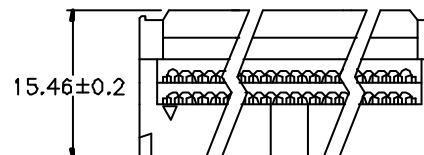
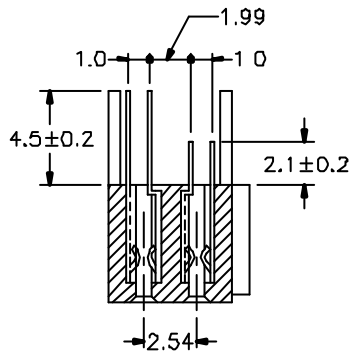
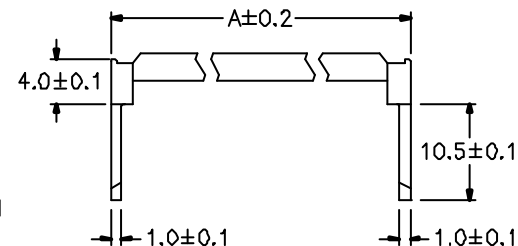
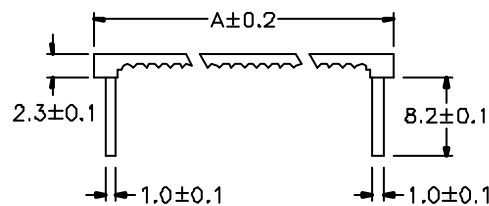
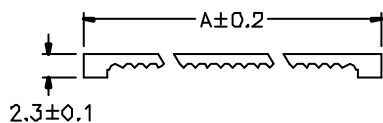


Position	Dimension			
	A±0.1	B	C±0.1	D±0.1
20	18.52	11.43	15.99	7.300
26	22.33	15.24	19.80	9.205
32	26.14	19.05	23.60	11.110
34	27.41	20.32	24.88	11.745
40	31.22	24.13	28.68	13.650
50	37.57	30.48	35.04	16.825
52	38.84	31.75	36.30	17.460
60	43.92	36.83	41.40	20.000
68	49.00	41.91	46.46	22.540
80	56.62	49.53	54.09	26.350
100	69.32	62.23	66.79	32.700



Section P-P'

RoHS Compliant

TOLERANCES ARE

**MORETHANALL**  
PCB CONNECTORS  
Cable ASSEMBLIES

DRAWING BY CY

X ±

CHECKED BY GENIUS

.X ±

UNIT / mm

SCALE 1:1

.XX ±

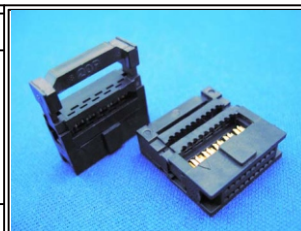
DATE

.XXX ±

SIZE A4

P PROJECTION

ANG ±



ORDER INFORMATION

HF-C3-xxx-LF  
SERIES | LEADFREE  
020~100WAY  
THREE TYPE

DESCRIPTION: I.D.C Socket 1.27mmX2.54mm

煜倫股份有限公司

www.morethanall.com