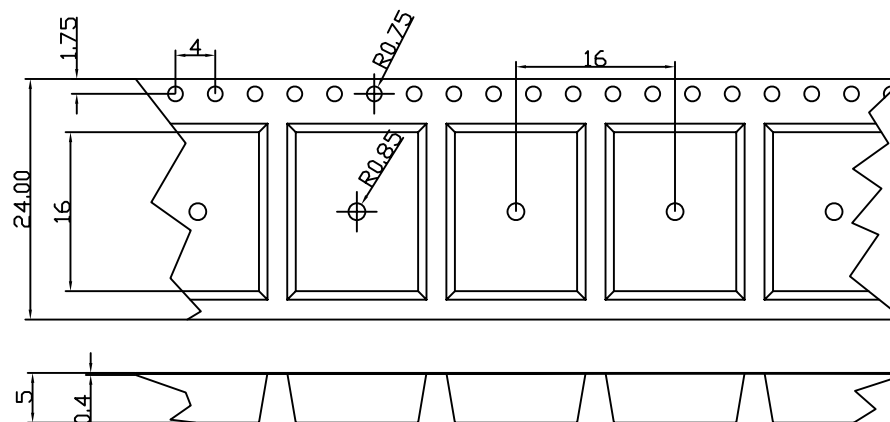


P. C. B Hole Layout

SPECIFICATION

Current Rating :3Amp
 Insulator Resistance :5000 Megohms Min.
 Contact Resistance :20 Milliohms Max.
 Dielectric Withstanding:AC 1000 V
 Operating Temperature :-40°C ~ +105°C
 Max Processing Temp :230°C For 30 ~ 60 Seconds
 (260°C For 10 Seconds)
 Contact Material :Brass
 Insulator Material :Polyester, UL 94V-0
 Standard:Nylon-4-6(TE250F3)
 Contact Plated :Full Gold, Full Tin,
 Selective Plated



PACKING

CARTON SIZE 340*340*290mm
 750PCS PER REEL 330*30mm
 10REELS/CARTON

RoHS Compliant

TOLERANCES ARE

MORETHANALL
 PCB CONNECTORS
 Cable ASSEMBLIES

煜倫股份有限公司

www.morethanall.com

DRAWING BY CY

CHECKED BY GENIUS

UNIT / mm

SCALE 1 : 1

DATE

SIZE A4

X. ±
 .X ±
 .XX ±
 .XXX ±
 ANG ±

P PROJECTION

照片框

ORDER INFORMATION

HE14-WXTLR-1X04-LF
 SERIES REEL TRI LOCK NON POST 90°SMT
 LEADFREE 04 WAY

DESCRIPTION: