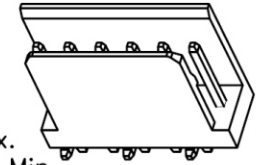


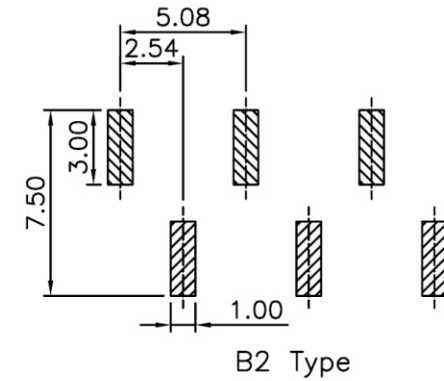
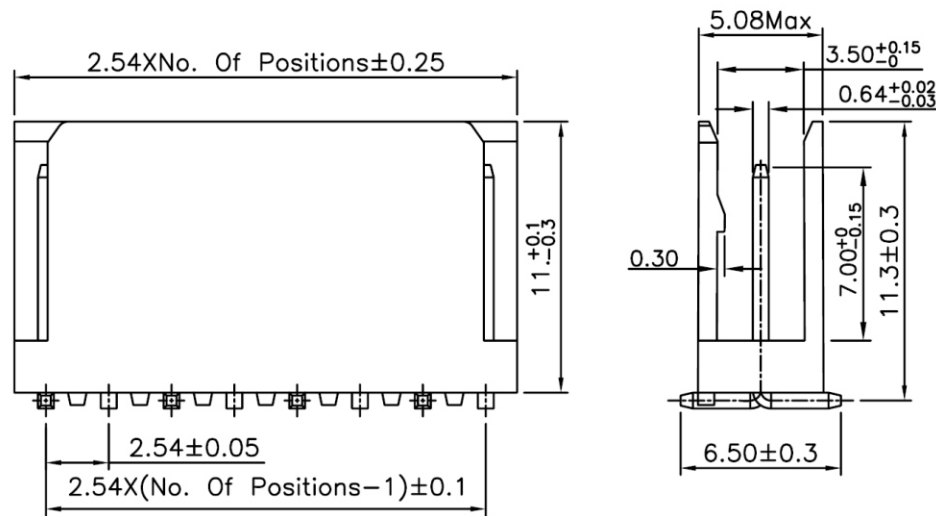
Specifications:
 Current Rating:3.0A AC/DC
 Voltage Rating:250V AC/DC
 Contact Resistance:20m ohm. Max.
 Insulation Resistance:1000M ohm. Min.
 Withstanding Voltage:600V AC/minute
 Operating Temperature Range:-25°C ~ +105°C
 Material and Finish
 Insulator:High Temp. Plastic(Nylon46 UL94V-0)
 Insulator Color:Black
 Contact material:Brass
 Plating:Gold Plated



HE14-VX-1XxxR-LF

LEADFREE

RoHS Compliant



P.C.B. Layout

MORETHANALL
 CONNECTORS
 ASSEMBLIES

PART NO. **HE14-VX-1XxxR**

DWG NO. **HE14-VX-1XxxR**

FILE NO.

UNIT / mm

SCALE 1:1

CHECKED BY CY

DRAWING BY

PROJECTION

TOLERANCES ARE

.X ± 0.2
 .XX ±
 .XXX ±
 AWG

DESCRIP TION:

AREA

REVISIONS

HK

DATE

煜倫股份有限公司