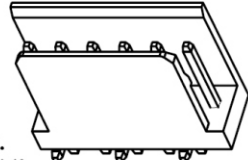
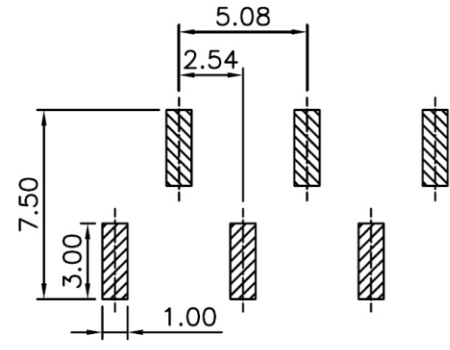
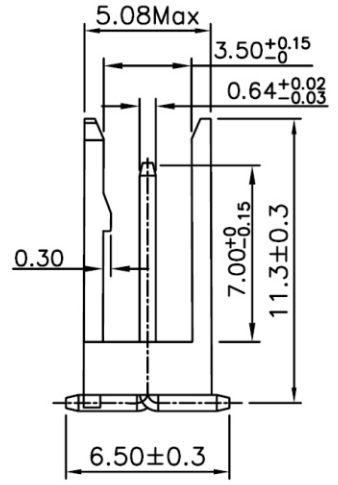
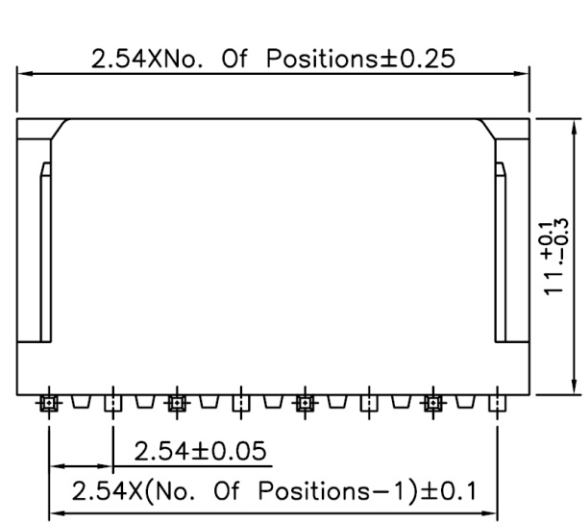


Specifications:
 Current Rating:3.0A AC/DC
 Voltage Rating:250V AC/DC
 Contact Resistance:20m ohm. Max.
 Insulation Resistance:1000M ohm. Min.
 Withstanding Voltage:600V AC/minute
 Operating Temperature Range:-25°C ~ +105°C
 Material and Finish
 Insulator:High Temp. Plastic(Nylon46 UL94V-0)
 Insulator Color:Black
 Contact material:Brass
 Plating:Gold Plated



HE14-VX-1Xxx-L-LF
LEADFREE
RoHS Compliant



P.C.B. Layout



PART NO. **HE14-VX-1XxxL**

DWG NO. **HE14-VX-1XxxL**

FILE NO.

CHECKED BY CY

DRAWING BY

TOLERANCES ARE

.X ± 0.2

.XX ±

.XXX ±

AWG

DESCRIP TION:

煜倫股份有限公司

UNIT / mm

SCALE 1:1

PROJECTION

AREA

REVISIONS

HK

DATE