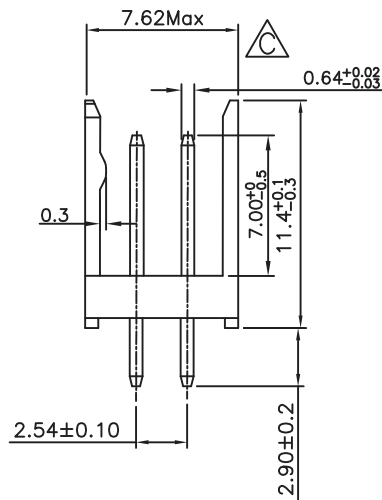
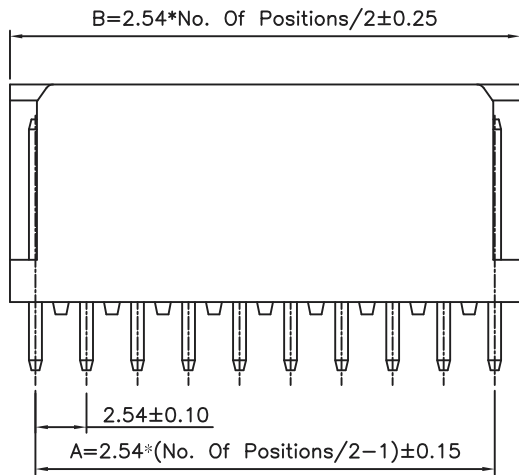


PIN 1



Specifications:

Current rating:3.0A DC Max

Voltage rating:250V DC Max

Contact resistance:20m ohm Max

Insulation resistance:1000M ohm Min

△ Withstanding voltage:1000V AC/minute

Operating temperature:-40°C ~ +105°C

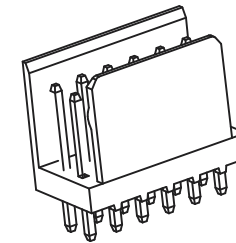
Materials and Finish

Insulator:High Temp Plastic(Nylon 66 UL94V-0)

Insulator Color:Black

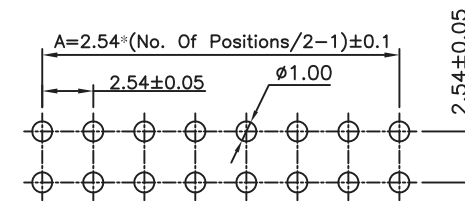
Contact:Brass

Plating:Tin Plated



Dimension:

Circuits	Dimension:		Circuits	Dimension:	
	A	B		A	B
04	2.54	5.08	24	27.94	30.48
06	5.08	7.62	26	30.48	33.02
08	7.62	10.16	28	33.02	35.56
10	10.16	12.70	30	35.56	38.10
12	12.70	15.24	32	38.10	40.64
14	15.24	17.78	34	40.64	43.18
16	17.78	20.32	36	43.18	45.72
18	20.32	22.86	38	45.72	48.26
20	22.86	25.40	40	48.26	50.80
22	25.40	27.94			



P.C.B. Layout

RoHS Compliant

TOLERANCES ARE

**MORETHANALL**  
PCB CONNECTORS  
Cable ASSEMBLIES

DRAWING BY CY

CHECKED BY GENIUS

UNIT / mm

SCALE 1 : 1

DATE

SIZE A4

PJECTION

X. ±  
.X ± 0.20  
.XX ± 0.15  
.XXX ±  
ANG ±

照片框

ORDER INFORMATION

HE14-DT-2Xxx-LF

SERIES | LEADFREE  
2X02:04 WAY  
2X20:40 WAY  
TIN  
DIP 180°

煜倫股份有限公司

www.morethanall.com

DESCRIPTION:2.54mm Wire to Board Wafer Straight Type