

Technical data :

Insulator High temperature thermoplastic, UL 94V-0,Black

Contact Copper alloy

Plating Mating area gold flash over nickel  
Solder area tin over nickel

Current rating 1 A

Operation Voltage 125VAC max

Contact Resistance 30 Milliohms max initial,  
10 Milliohms max increase through testing,

Insulation resistance min. 1000 MOhm

Dielectric Withstanding Voltage 500VAC

Contact Retention 0.4KG min

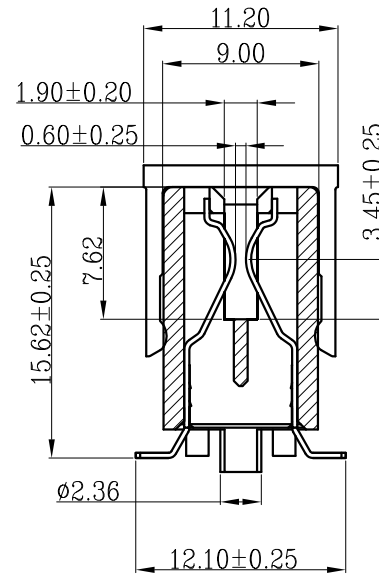
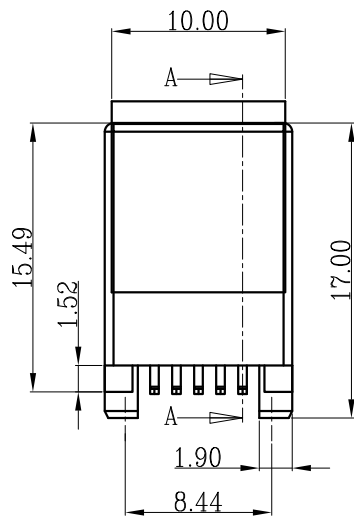
Mating Durability 100 cycles

Operating temperature -55°C to +105°C

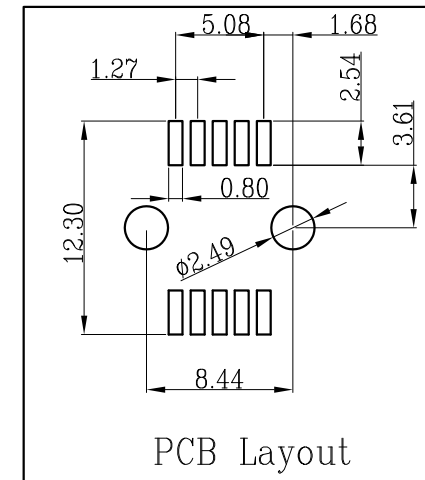
Mates with: 1.57mm Card

Max. processing Temp : 230°C for 30-60 seconds.  
260°C for 10 seconds.

packing : With cap in tape&reel



Section A-A



RoHS Compliant

TOLERANCES ARE

**MORETHANALL**  
PCB CONNECTORS  
Cable ASSEMBLIES

DRAWING BY CY

X. ± 0.30

CHECKED BY GENIUS

.X ± 0.25

UNIT / mm

SCALE 1 : 1

.XX ± 0.15

DATE

.XXX ±

ANG ±

煜倫股份有限公司

www.morethanall.com

SIZE A4

PPOJECTION

照片框

ORDER INFORMATION

HE-VP-010-LF  
SERIES | LEADFREE  
| 10 WAY  
| POST  
| 180°SMT

DESCRIPTION: