

MATERIAL

INSULATOR: GLASS-REINFORCED THERMOPLASTIC.
 CONTACT: COPPER ALLOY.
 PLATING: MATING AREA - SELECTED GLOD OVER NICKEL.
 SOLDER AREA - TIN/LEAD OVER NICKEL.
 SWITCH: COPPER ALLOY.
 PLATING: FLASH GLOD OVER NICKEL.

ELECTRICAL

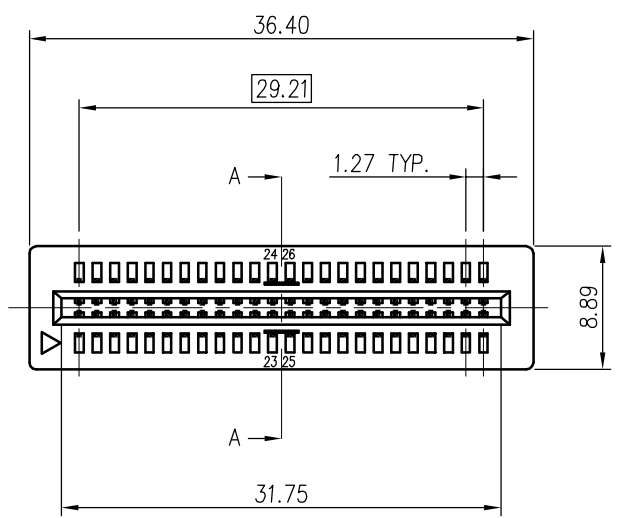
VOLTAGE RATING: 250 VAC RMS.
 CURRENT RATING: 1 AMP.
 DIELECTRICAL WITHSTANDING VOLTAGE: 500 VAC RMS.
 INSULATION RESISTANCE: 1000 MEGOHMS MIN AT 500 VDC.
 CONTACT RESISTANCE: 30 MILLIOHMS MAX AT 1 AMP DC.

MECHANICAL

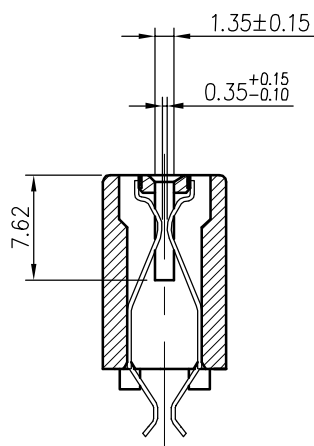
RETENTION FORCE: 460 GRAMS MIN PER CONTACT.
 INSERTION FORCE: 230 GRAMS MAX PER CONTACT PAIR.
 WITHDRAWAL FORCE: 15 GRAMS MIN PER CONTACT PAIR.

ENVIRONMENTAL

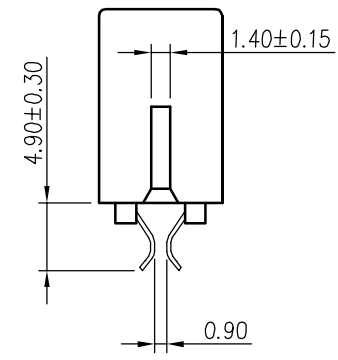
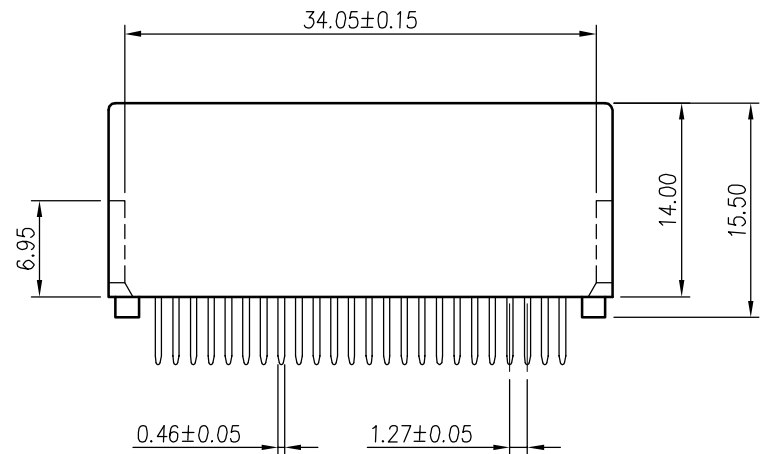
TEMPERATURE RANGE: -55°C TO +85°C.



Accept 1.20mm PCB



SECTION A-A



STRADDLE TYPE



焯倫股份有限公司

PART NO. HE-ESW-048		CHECKED BY CY	TOLERANCES ARE .X ± 0.2 .XX ± .XXX ± AWG	DESCRIP TION: MCA Single Bay 48P, With 2 Switch Ass'y			
DWG NO. HE-ESW-048				DRAWING BY	AREA	REVISIONS	HK
UNIT / mm	SCALE 1:1	PROJECTION					