

**SPECIFICATION**

**MATERIAL**

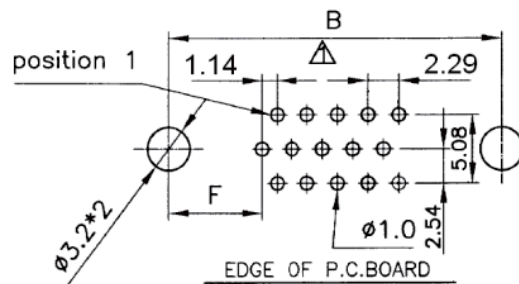
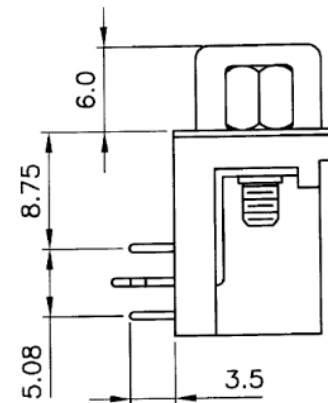
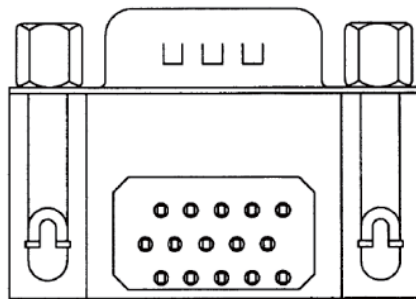
Insulator: Thermal Plastic UL94V-0  
 Contacts: Copper Alloy  
 Shell: Steel  
 Rivet, Boardlock: Copper alloy

**ELECTRICAL**

Operation Voltage: 250 VAC max.  
 Current rating: 3 Amps max.  
 Contact resistance: 15 mohms min @ 500 VDC  
 Dielectric withstanding voltage: 1000 VAC / minute  
 Operating temperature: -55°C to +105°C

**CONTACT PLATING:** Gold Flash

**INSULATOR COLOR:** black



RECOMMENDED P.C.B LAYOUT(TOP VIEW)

TOLERANCES: ±0.05mm

**RoHS Compliant**

TOLERANCES ARE

**MORETHANALL**  
 PCB CONNECTORS  
 Cable ASSEMBLIES

煜倫股份有限公司

www.morethanall.com

DRAWING BY CY

CHECKED BY GENIUS

UNIT / mm SCALE 1 : 1

DATE

SIZE A4

X. ± 0.50

.X ± 0.30

.XX ± 0.20

.XXX ±

ANG ± 5°

PROJECTION

照片框

**ORDER INFORMATION**

HDRF-PG-15-LF

SERIES | LEADFREE  
 | 15 WAY  
 | GOLD  
 | MALE

DESCRIPTION: