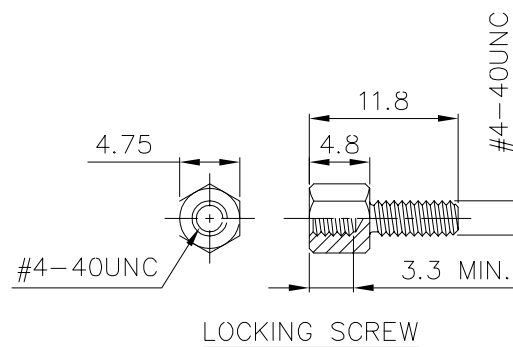
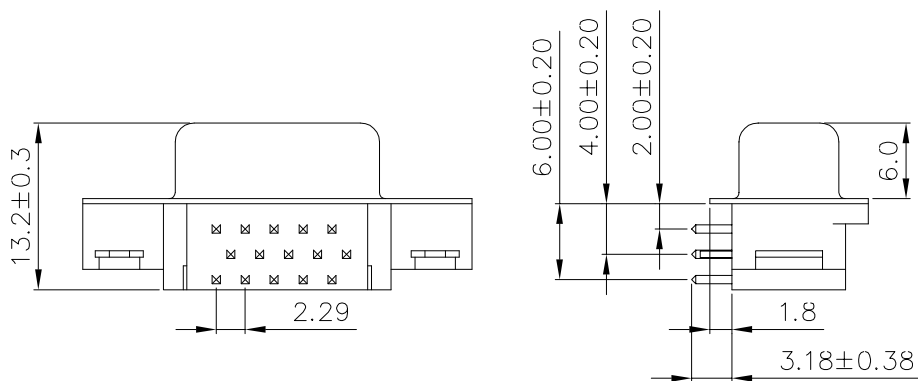
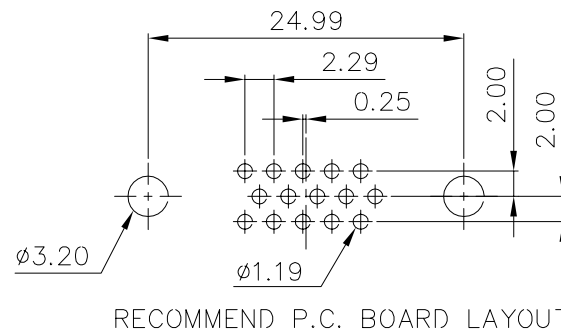
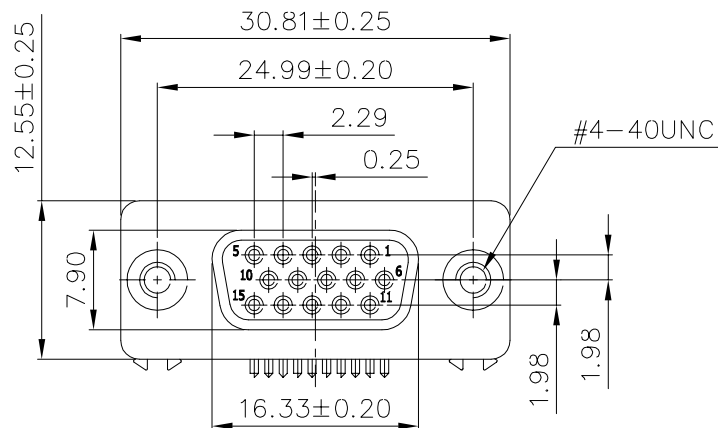


Material:  
 Insulator: PBT+30% Glass Fiber (UL94V-0).  
 Contact: Copper Alloy.  
 Contact Plated: Gold or Tin over Nickel Plated.  
 Shell: Steel with Nickel or Tin or Zinc Plated.

Specification:  
 Current Rating: 5 Amps.  
 Withstanding Voltage: AC 500V for 1 Minute.  
 Insulation Resistance: 1000MΩ Min. at DC 500V.  
 Contact Resistance: 15mΩ Max..  
 Operating Temperature: -40°C ~ +105°C.



**MORETHANALL**  
 CONNECTORS  
 ASSEMBLIES

煜倫有限公司

PART NO. **HDR-20-SNH-15**

DWG NO. **HDR-20-SNH-15**

FILE NO.

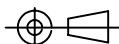
UNIT / mm

SCALE 1:1

CHECKED BY CY

DRAWING BY

PROJECTION



TOLERANCES ARE

.X ± 0.2

.XX ± 0.1

.XXX ±

AWG

DESCRIPTION:

15P Hi-Density Female D-Sub  
 Right Angle Connector Footprint  
 2.0mm/Clinch Nut Type

AREA

REVISIONS

HK

DATE