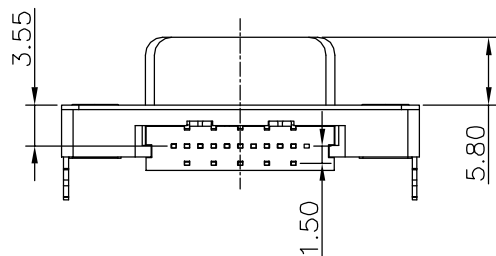
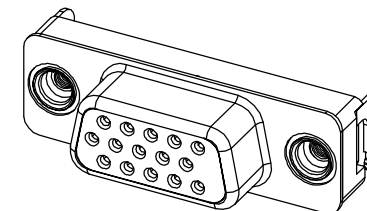
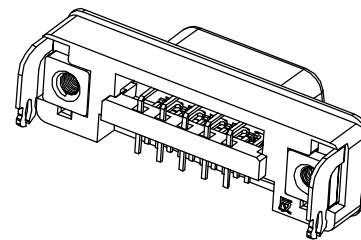
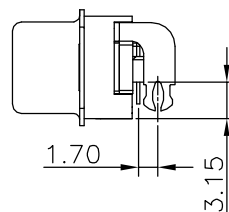
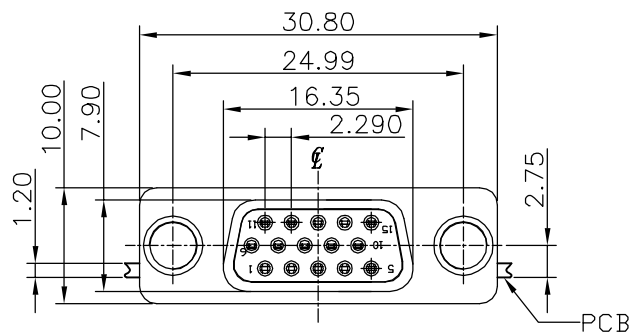


RECOMMENDED P.C.B. LAYOUT

NOTE
 MATERIAL
 BODY&LATCH: PA46
 CONTACTS: BRASS
 SHELL:SPCD
 CONTACT PLATING: GOLD PLATING OVER NICKEL
 ELECTRICAL SPECIFICATION
 CURRENT RATING: 1A;
 CONTACT RESISTANCE: 20mΩ MAX.
 INSULATION RESISTANCE:1000MΩ MIN,AT DC 500V.
 DIELECTRIC WITHSTANDING VOLTAGE:AC 1000/60sec.R.M.S.



RoHS Compliant

TOLERANCES ARE

MORETHANALL
 PCB CONNECTORS
 Cable ASSEMBLIES

DRAWING BY CY

CHECKED BY GENIUS

UNIT / mm

SCALE 1 : 1

DATE

SIZE A4

PJECTION

X, ±
 .X ±
 .XX ±
 .XXX ±
 ANG ±

照片框

ORDER INFORMATION

HDR151-SNRV-15-LF

SERIES

LEADFREE

15WAY

REVERSED

NUT

FEMALE

煜倫股份有限公司

www.morethanall.com

DESCRIPTION: HDR SLIM 15F 薄型 排距1.50mm(前10後5) 成品