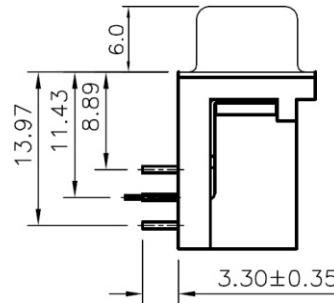
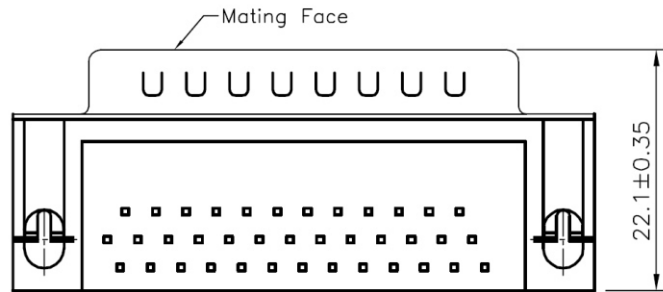
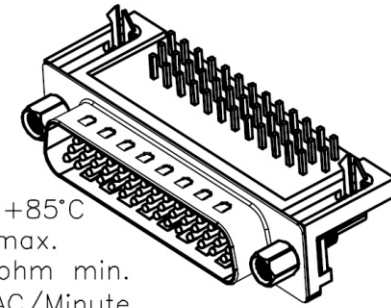


Specifications:

Current rating:3.0A AC,DC  
 Voltage rating:250V AC,DC  
 Temperature range:-40°C ~ +85°C  
 Contact resistance:30mohm max.  
 Insulation resistance: 5,000Mohm min.  
 Withstanding voltage:1,000V AC/Minute  
 Materials:

Insulator:High Temp. Plastic (UL 94V-0)  
 Contact:Copper alloy Nickel Undercoated  
 ,Selective Gold plated (**Full-Gold**)  
 Shell:Metal Iron with Tin plated

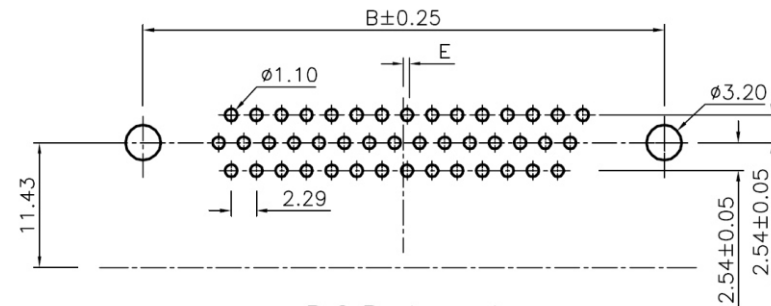
**Rivet W/Boardlocks**



HDR-PxN-xx-LF  
 LEADFREE  
 G:FULL-GOLD  
 S:SEMI-GOLD

**RoHS Compliant**

Pos	A	B	C	D	E
15	16.92	24.99	30.81	2.29	0.25
26	25.25	33.32	39.14	2.29	0.51
44	38.96	47.04	53.04	2.29	0.51
62	55.42	63.50	69.32	2.41	0.58



P.C.B. Layout

**MORETHANALL**  
 CONNECTORS  
 ASSEMBLIES

煜倫股份有限公司

PART NO. **HDR-PxN-xx**

DWG NO. **HDR-PxN-xx**

FILE NO.

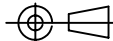
UNIT / mm

SCALE 1:1

CHECKED BY CY

DRAWING BY

PROJECTION



TOLERANCES ARE

.X ± 0.2  
 .XX ±  
 .XXX ±  
 AWG

DESCRIPTION:

AREA

REVISIONS

HK

DATE