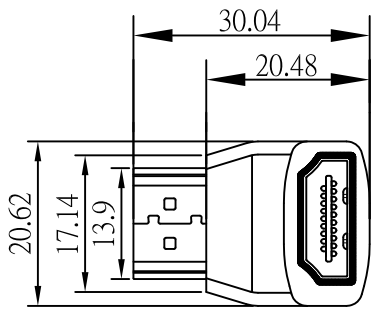
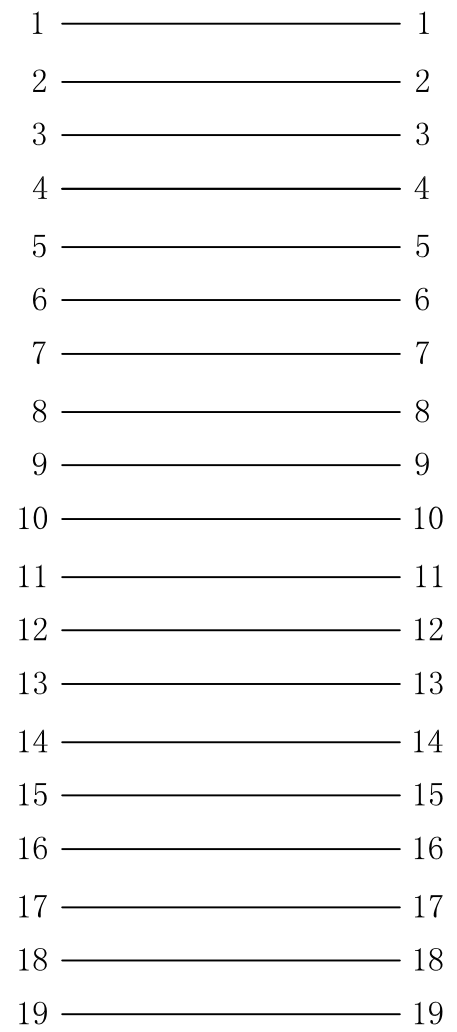


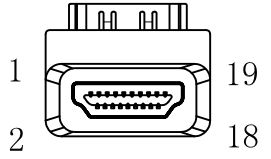
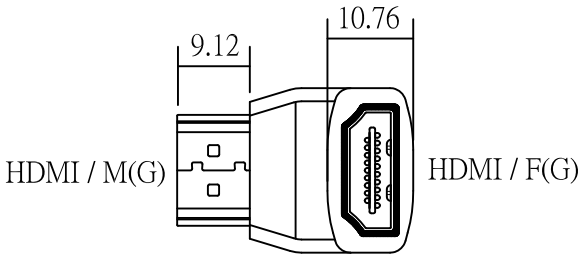
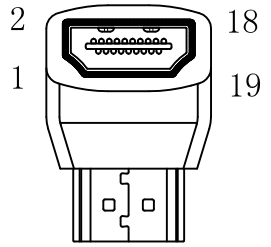
WIRING DIAGRAM

P1 P2

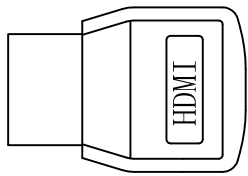


P1

P2



- 測試要求:
- 1) 100%斷短路檢測
 - 2) 導通阻抗5Ω
 - 3) 絕緣阻抗5MΩ
 - 4) 高壓300V DC



HDMIX2-EMLBK-1919-LF
LEADFREE

RoHS Compliant

铁壳 铁壳



PART NO. HDMIX2-EMLBK-1919

DWG NO. HDMIX2-EMLBK-1919

FILE NO.

CHECKED BY CY

DRAWING BY

TOLERANCES ARE
X. ±
.X ±
.XX ±
.XXX ±
ANG

DESCRIPTION: HDMI M/F 90° ADAPTER BLACK

焯倫股份有限公司

UNIT / mm

SCALE 1:1

PROJECTION

AREA

REVISIONS

DATE