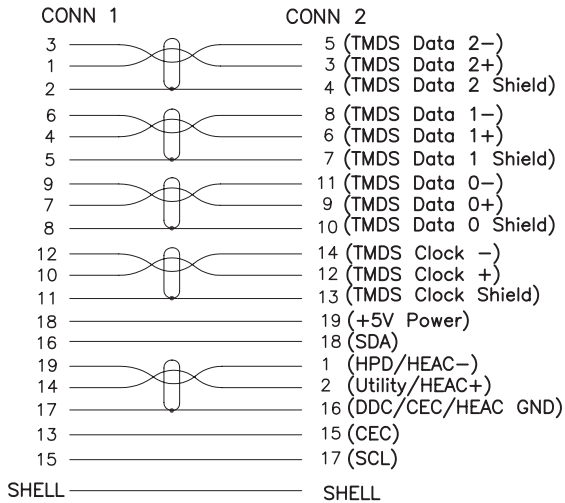


HDMI 19M

PIN ASSIGNMENT:



ELECTRICAL CHARACTER:

- 100% OPEN OR SHORT TESTING
- INSULATION RESISTANCE: 10 MOHM(MIN)
- WITHSTANDING VOLTAGE: DC 150V 0.1SEC
- CONDUCTIVE RESISTANCE: 3 OHM

| ITEM | QTY | DESCRIPTION |
|------|------|--|
| 6. | 15g | PVC,70P,BLACK |
| 5. | 10g | PE,J5019 |
| 4. | A/R | COPPER FOIL 26*45MM |
| 3. | 1pc | HDMI D TYPE,M,19P,SOLDING,GOLD PLATED 15u" BLACK,NI PLATED COPPER ALLOR SHELL |
| 2. | 1pc | HDMI A TYPE,M,19P,SOLDING,GOLD PLATED 15u" BLACK NI PLATED IRON SHELL |
| 1. | 1200 | UL20276(1P*34#+D+AL/MY)*5C+4C*34#+AL/MY+B BLACK OD:4.2(1.4REV) HDMI CABLE |

HDMIMIHDMI-191934-M1M2

RoHS Compliant

MORETHANALL
CONNECTORS
ASSEMBLIES

PART NO. HDMIMIHDMI-191934-M1M2

DWG NO. HDMIMIHDMI-191934-M1M2

FILE NO.

CHECKED BY CY

DRAWING BY

TOLERANCES ARE

.X±0.2
.XX±
.XXX±
AWG

DESCRIPTION:

HDMI AM TO HDMI DM
Cable Assembly

AREA

REVISIONS

HK

DATE

煜倫股份有限公司

UNIT / mm

SCALE 1:1

PROJECTION

