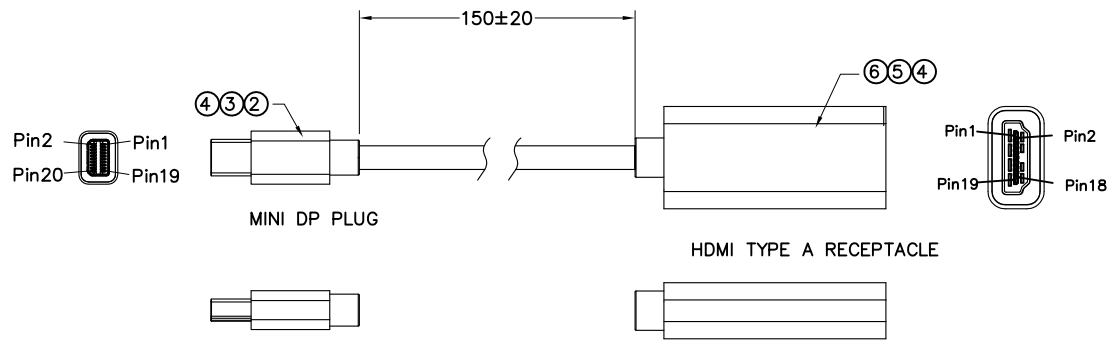


J
I
H
G
F
E
D
C
B
A

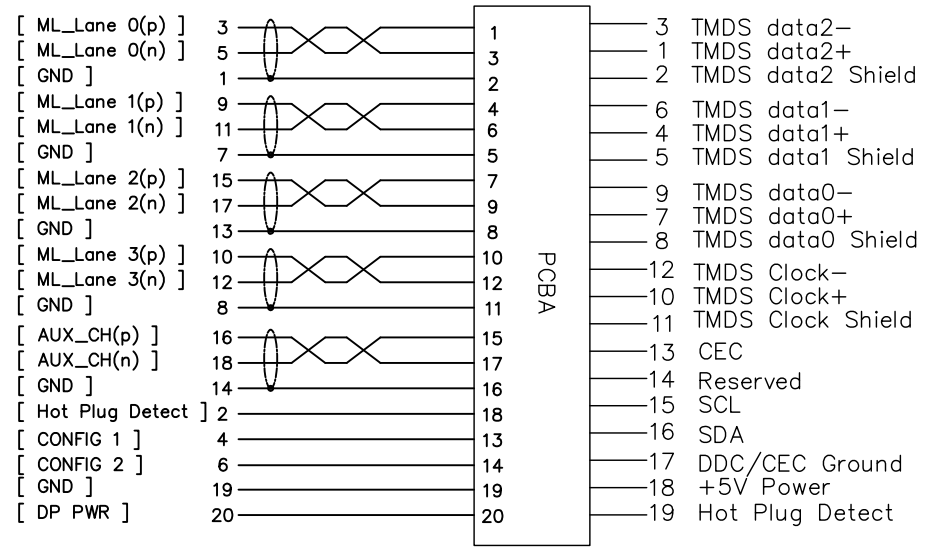


Preliminary

PIN ASSIGNMENT:

MINI DP PLUG
(SOURCE)

HDMI TYPE A RECEPTACLE
(SINK)



SHELL ————— SHELL

Features:

- . Converts low-swing AC coupled differential input to HDMI rev 1.3 compliant open-drain current steering Rx terminated differential output.
- . Compliant to VESA Interop Guidelines.
- . HDMI level shifting operation up to 2.5Gbps per lane(250MHz pixel clock).
- . Integrated 50-ohm termination resistors for AC-coupled differential inputs.
- . Enable/Disable feature to turn off TMDS outputs to enter low power state.
- . I C buffer for ATC DDC test support.
- . Transparent operation:no re-timing or configuration required.
- . Level shifter for HPD single from HDMI connector.
- . Integrated pull-down on HPD_sink input guarantees" input low"when no display is plugged in.
- . Supports 1080p 60Hz at distance up to 3meters (length for use).

Electrical character:

a. Function Test: by PC and monitor 1080P 60Hz test pass.

6	OUTER COVER	HDMI TYPE A RECEPTACLE CONNECTOR ABS OUTER COVER	
5	CONNECTOR 2	HDMI A Female Shell Nickel Plated W/PCBA	
4	SR	PVC	
3	OUTER COVER	MINI DP CONNECTOR ABS OUTER COVER	
2	CONNECTOR 1	MINI DP CONNECTOR PLUG Shell Nickel Plated	
1	CABLE	UL20276 DISPLAYPORT CABLE IMPEDANCE:100 Ohm	
NO.	PART NAME	SPEC DESCRIPTION	REMAKE

MORETHANALL
CONNECTORS
ASSEMBLIES

PART NO.HDMIMDSP-1920-A15C

RoHS Compliant

DWG NO. HDMIMDSP-1920-A15C

CHECKED BY CY

TOLERANCES ARE

DESCRIP TION: Mini DP to HDMI A type Receptacle cable

FILE NO.

DRAWING BY

.X ± 0.2
.XX ±
.XXX ±
AWG

煜倫股份有限公司

UNIT / mm

SCALE 1:1

PROJECTION

AREA	REVISIONS	HK	DATE