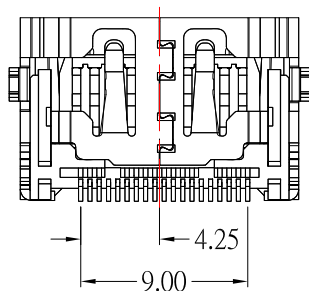
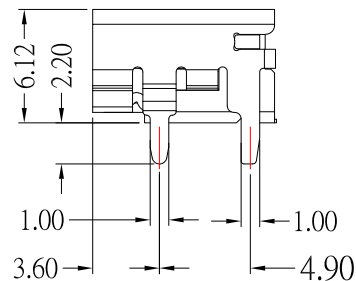
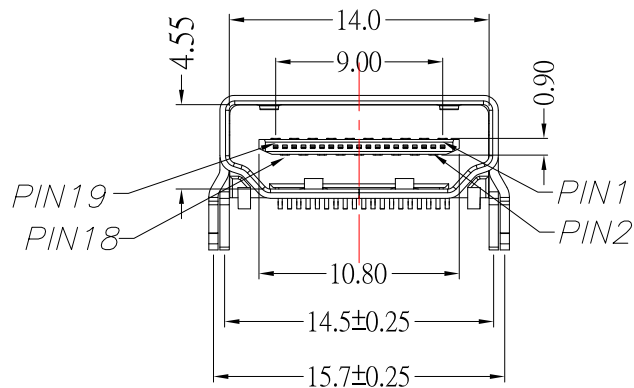


RECOMMENDED PCB LAYOUT (TOP VIEW)



**NOTE:**

**1.MATERIAL:**

- 1.1 HOUSING: LCP,Black
- 1.2 CONTACT: BRASS
- 1.3 SHELL: BRASS

**2.PLATING :**

- 2.1 CONTACT: PLATED GOLD IN MATING AREA ;  
TIN PLATED ON SOLDER BALLS ;  
NICKEL UNDER PLATED OVERALL
- 2.2 SHELL: NICKEL UNDER PLATED SURFACE LAYER

**3.ELECTRICAL:**

- 3.1 RATING CURRENT: 0.5A
- 3.2 RATING VOLTAGE: 40V DC
- 3.3 CONTACT RESISTANCE: 30 mΩ Max
- 3.4 INSULATION RESISTANCE: 1000MΩ Min
- 3.5 WITHSTANDING VOLTAGE: 500V DC / minute

**RoHS Compliant**

TOLERANCES ARE

**MORETHANALL**  
PCB CONNECTORS  
Cable ASSEMBLIES

DRAWING BY CY  
CHECKED BY GENIUS  
UNIT / mm SCALE 1 : 1  
DATE

Up to 5 ±0.2  
Above 5 ~ 15 ±0.3  
Above 15 ~ 30 ±0.4  
Above 30 ~ 50 ±0.5  
Angle ±0.3°

照片框

**ORDER INFORMATION**

HDMI-SWM15-19-LF  
SERIES | LEADFREE  
19 WAY  
METAL FOOT 15.70mm  
90°SMT  
FEMALE

煜倫股份有限公司

www.morethanall.com

SIZE A4 PPROJECTION

DESCRIPTION: HDMI A/F 短體無耳無柱 SMT