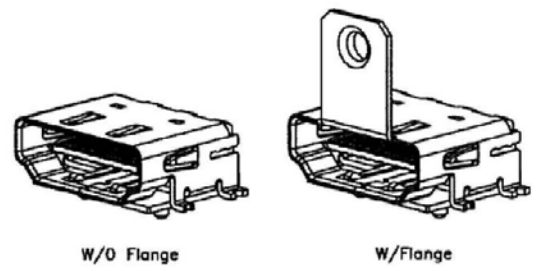
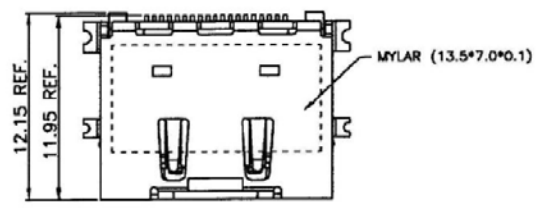
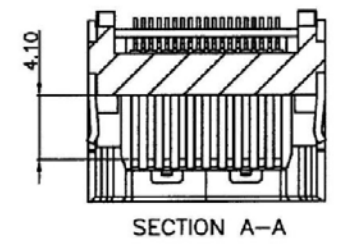
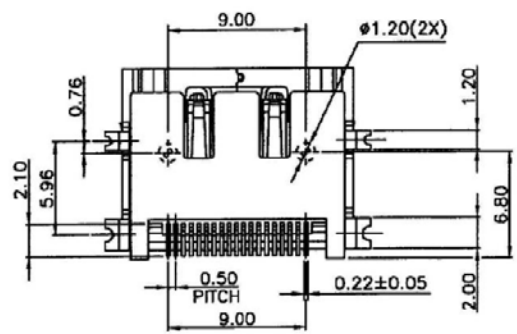
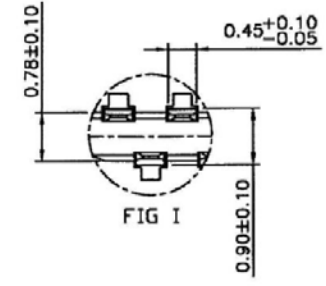
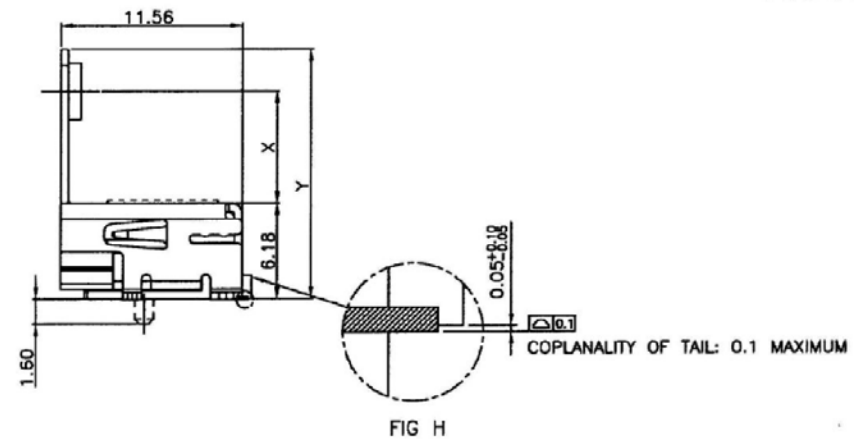
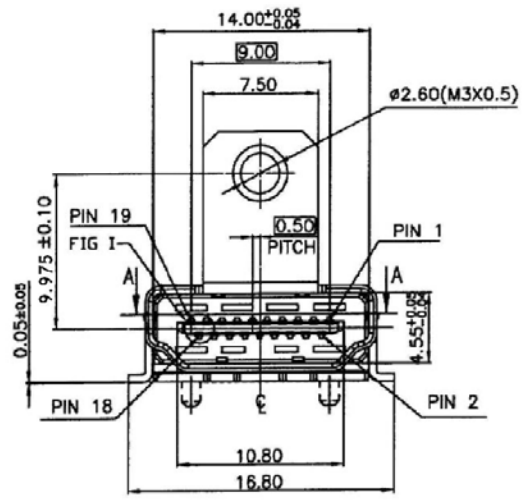


NOTES:
 MATERIALS:
 Insulator: Thermal Plastic UL94V-0
 Contacts: Copper Alloy
 Shell: Copper Alloy
 CONTACT PLATING
 Underplate: 50u"~100u" Nickel
 Contact Area: 1u"~30u" Selective Gold
 Solder Tails Area: 100u"~200u" Tin/Lead Free(Brighten Tin/Matte Tin)
 SHELL PLATING
 50u" Nickel Plated



HDMI-SWENP-19-LF
 LEADFREE
 RoHS Compliant



MORETHANALL
 CONNECTORS
 ASSEMBLIES

煜倫股份有限公司

PART NO. HDMI-SWENP-19

DWG NO. HDMI-SWENP-19

FILE NO.

UNIT / mm

SCALE 1:1

CHECKED BY CY

DRAWING BY

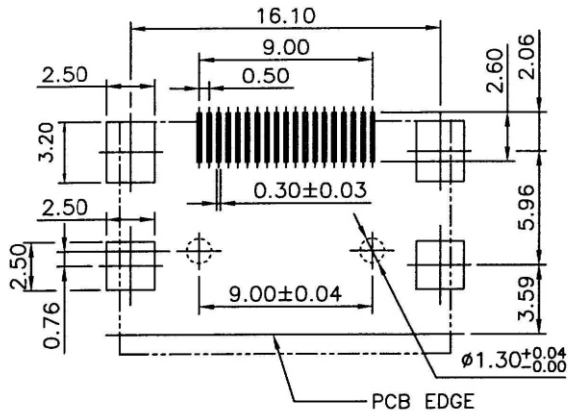
PROJECTION

TOLERANCES ARE

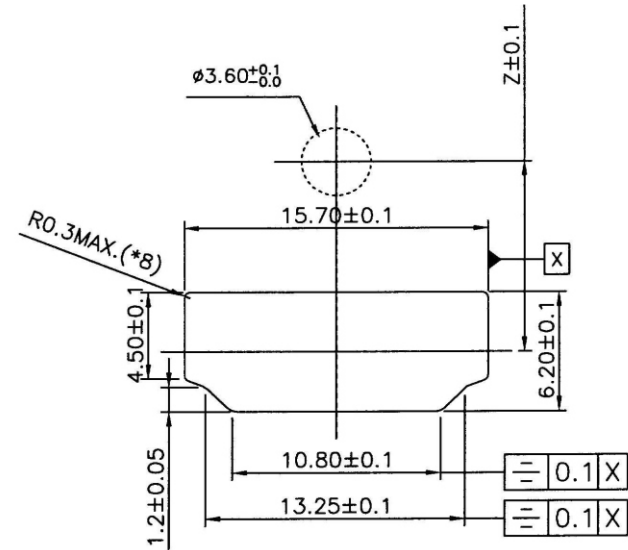
.X ± 0.2
 .XX ± 0.1
 .XXX ±
 AWG

DESCRIPTION:

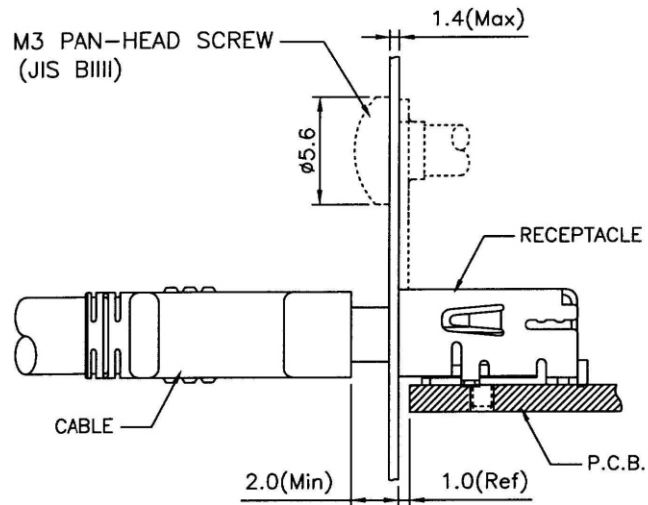
AREA	REVISIONS	HK	DATE
------	-----------	----	------



RECOMMENDED PCB LAYOUT (THICKNESS=1.6±0.15mm)
TOLERANCES: ±0.05mm



REFERENCE PANEL CUT OUT DIMENSION



REFERENCE MOUNT DIMENSION

MORETHANALL
CONNECTORS
ASSEMBLIES

PART NO. HDMI-SWENP-19

DWG NO. HDMI-SWENP-19

CHECKED BY CY

TOLERANCES ARE

DESCRIPTION:

FILE NO.

DRAWING BY

.X ± 0.2

.XX ± 0.1

.XXX ±

AWG

AREA

REVISIONS

HK

DATE

煜倫股份有限公司

UNIT / mm

SCALE 1:1

PROJECTION

