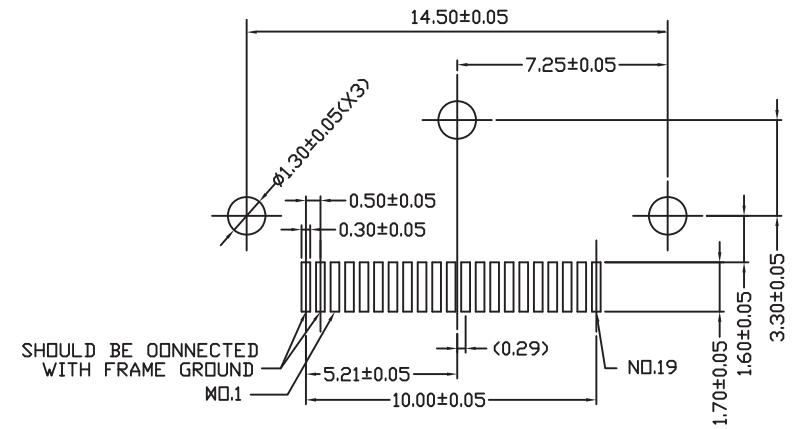
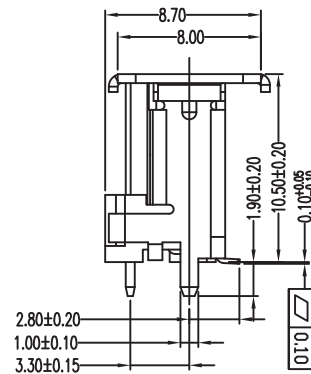
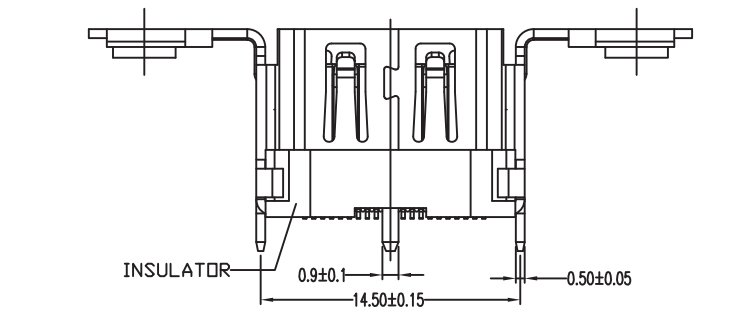


REMARKS:

- 1. MATERIAL:
- 1.1 INSULATOR: THERMOPLASTIC UL 94V-0 RATED
- 1.2 CONTACT: COPPER ALLOY
- 1.3 SHELL: COPPER ALLOY
- 2. PLATING:
- 2.1 CONTACT:
GOLD PLATED OVER NICKEL ON
CONTACT AREA AND 100μ" MIN. TIN
PLATED OVER NICKEL ON SOLDER TAILS
- 2.2 SHELL:
SOLDERABLE NICKEL PLATED OVER NICKEL



RECOMMENDED P.C.B. LAYOUT(T=1.6mm)

1	COPPER ALLOY,T=0.25mm	SHORT DUMMY	6
1	COPPER ALLOY,T=0.25mm	LONG DUMMY	5
10	COPPER ALLOY,T=0.25mm	SHORT CONTACT	4
9	COPPER ALLOY,T=0.25mm	LONG CONTACT	3
1	COPPER ALLOY,T=0.50mm	SHELL	2
1	THERMOPLASTIC,RATED UL94-V0	HOUSING	1
QTY'S	SPECIFICATION	PART	ITEM

RoHS Compliant

TOLERANCES ARE

MORETHANALL
PCB CONNECTORS
Cable ASSEMBLIES

DRAWING BY CY

X.±

CHECKED BY GENIUS

.X±

UNIT / mm

SCALE 1 : 1

.XX±

DATE

.XXX±

ANG±

SIZE A4

PJECTION

照片框

ORDER INFORMATION

HDMI-SVM3PE8-19-LF
SERIES | | | | | LEADFREE
19WAY
EAR 8mm
3 POST
FEMALE | METAL
180°SMT

煜倫股份有限公司

www.morethanall.com

DESCRIPTION:HDMI RECEPTACLE WITH WING VERTICAL SMT TYPE