

NOTE:

1.MATERIAL:

- 1-1.CONTACT:PHOSPHOR BRONZE
- 1-2.HOUSING:LCP
- 1-3.SHELL:BRASS

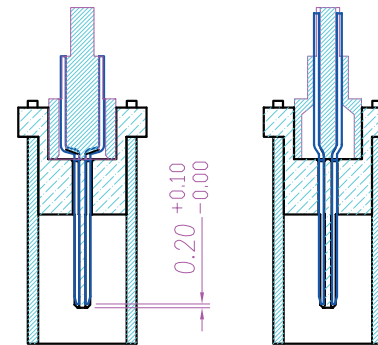
2.PLATING:

2-1.CONTACT PLATING:

Underplate: Nickel 50u" MIN.
Contact Area: see "TABLE A" MIN.
Solder Tails Area: Tin 60u" MIN.

2-2.SHELL PLATING:

SEE TABLE A



A—A'

B—B'

RoHS Compliant

TOLERANCES ARE

MORETHANALL
PCB CONNECTORS
Cable ASSEMBLIES

煜倫股份有限公司

www.morethanall.com

DRAWING BY CY

CHECKED BY GENIUS

UNIT / mm SCALE 1 : 1

DATE

SIZE A4

X, ±

.X ±

.XX ±

.XXX ±

ANG ±

PJECTION

照片框

ORDER INFORMATION

HDMI-SS-19-LF
SERIES | | LEADFREE
| | 19 WAY
| | SOLDER
| | FEMALE

DESCRIPTION: HDMI 19P 母座線端