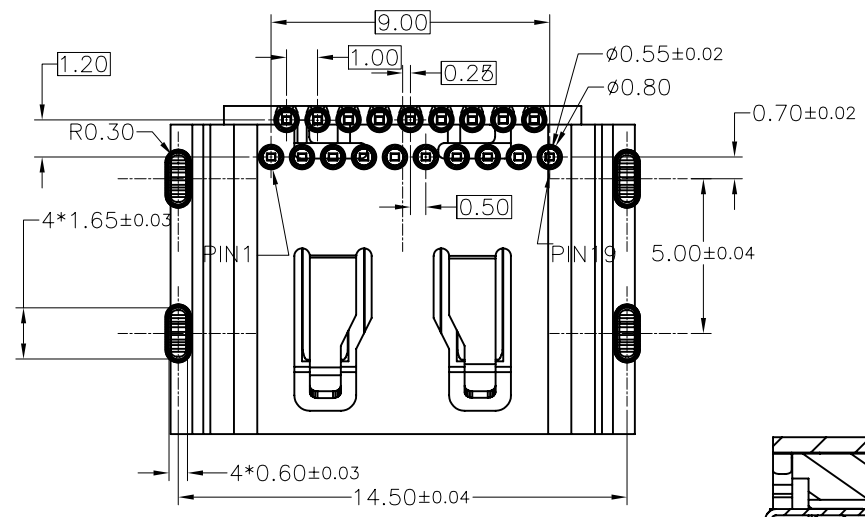
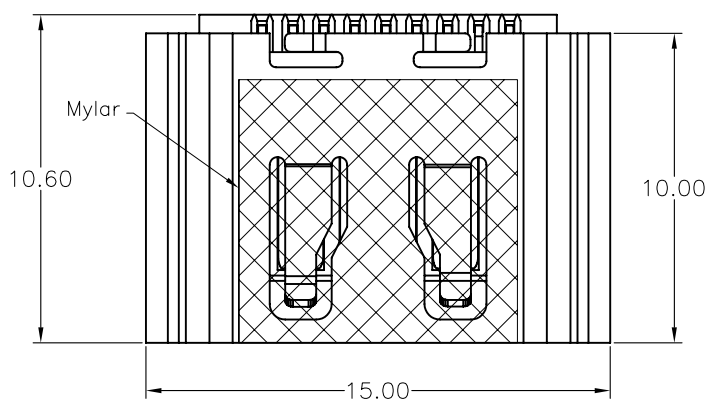
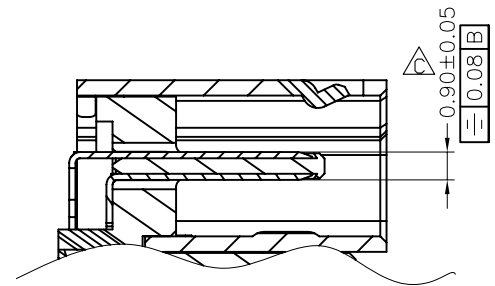


1 2 3 4 5 6 7 8 9 0

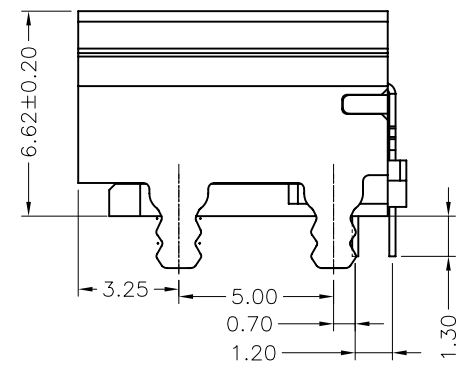
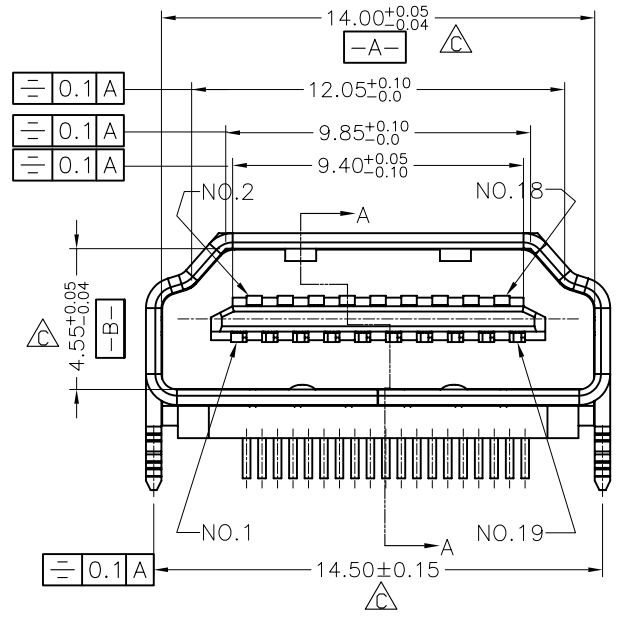
J  
I  
H  
G  
F  
E  
D  
C  
B  
A



HDMI-SLMC-19-LF  
LEADFREE  
RoHS Compliant



SECTION A-A  
SCALE 1:1



05	COVER	HE110140-01	LCP BLACK	1
04	短端子	CE110138-07	Ni:50U"MIN Solder Tail Au: G/F. Contact Area AU:15U"	10PIN
03	长端子	CE110137-07		9PIN
02	SHELL	SE110136-02	Ni: 50U"MIN	1
01	HGS.	HE110139-01	LCP, BLACK	1
NO.	NAME	P/N	MATERIAL FINISH/COLOR	QTY.

**MORETHANALL**  
CONNECTORS  
ASSEMBLIES

PART NO. HDMI-SLMC-19

DWG NO. HDMI-SLMC-19

FILE NO.

UNIT / mm

SCALE 1:1

CHECKED BY CY

DRAWING BY

PROJECTION

TOLERANCES ARE

.X ± 0.2  
.XX ± 0.1  
.XXX ±  
AWG

DESCRIP TION:				
AREA	REVISIONS	HK	DATE	

焯倫股份有限公司