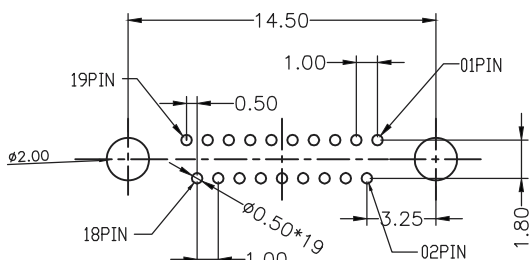
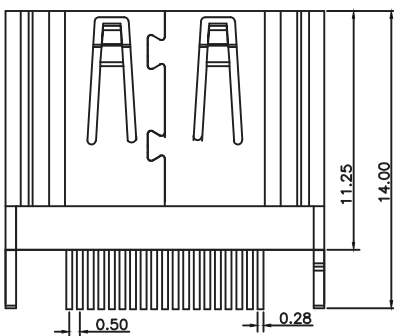
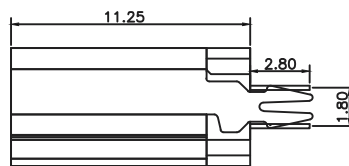
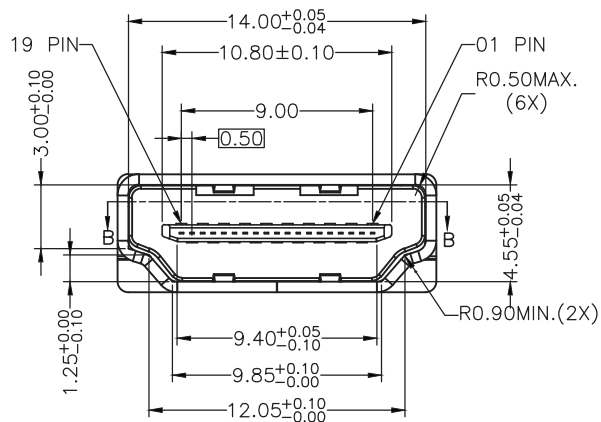


SEC B-B  
SCALE 1:1



RECOMMENDED PCB LAYOUT



Specifications:

- 1.Insertion force:44.1N MAX.
- 2.Withdrawal force:9.8~39.2N.
- 3.Durability:10000 Cycles.
- 4.Current rating:0.5A
- 5.Voltage rating:40V AC MAX.
- 6.Dielectric strength:  
500V AC MIN.(UNMATED)  
300V AC MIN.(MATED)
- 7.Contact resistance:30mΩ MAX.
- 8.Insulation resistance:  
100MΩ DC MIN(UNMATED)  
10MΩ DC MIN(MATED)
- 9.Temperature: -40°C TO +85°C
- 10.All the material must accord with the RoHS.

RoHS Compliant

TOLERANCES ARE

**MORETHANALL**  
PCB CONNECTORS  
Cable ASSEMBLIES

DRAWING BY CY

X. ± 0.25

CHECKED BY GENIUS

.X ± 0.20

UNIT / mm

SCALE 1:1

.XX ± 0.15

DATE

.XXX ± 0.10

ANG ±

SIZE A4

PJECTION

照片框

ORDER INFORMATION

HDMI-SDZ2-19-LF  
SERIES | | | LEADFREE  
| | | 19 WAY  
| | | CLIP  
| | | DIP 180°  
| | | FEMALE

煜倫股份有限公司

www.morethanall.com

DESCRIPTION: