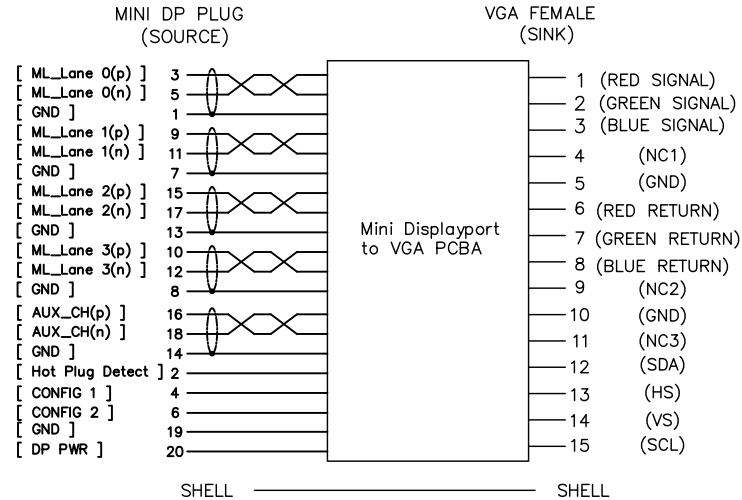


- Features:
1. Programmable 1 or 2 lanes Main Link and 1.62/2.7Gbps data rate support.
 2. Compliance with Proposed DisplayPort Interoperability Guideline, Version 1.1a.
 3. Capable of receiving data over long and/or low quality cables and low power architecture.
 4. VGA output pixel rate up to 240MHz.
 5. Support resolution up to 1920*1200@60Hz and 12-bit per color RGB color format support.
 6. Automatic monitor plug and unplug detect for VGA output.
 7. EDID and MCCS pass-through support.
 8. Ultra-fast video image recovery.
 9. 3.3V power supplies for IO, 1.2V for IC core and 5V output pin available for VGA interface.

Electrical character:
 a. Function Test:
 by PC and monitor 1080P 60Hz test pass.

PIN ASSIGNMENT:



9	Bottom Shell	VGA Bottom Shell, ABS+PC, White	
8	Up Shell	VGA Up Shell, ABS+PC, White	
7	SR	PVC,White	
6	PCBA	DISPLAYPORT TO VGA PCBA	
5	CONNECTOR 2	HDB15P FEMALE W/NUT shell Nickel plated	
4	SR	PVC,White	
3	OUTER COVER	MINI DP CONNECTOR ABS OUTER COVER	
2	CONNECTOR 1	MINI DP CONNECTOR PLUG Shell Nickel Pated	
1	CABLE	UL20276 DISPLAYPORT CABLE IMPEDANCE:100 Ohm	
NO.	PART NAME	SPEC DESCRIPTION	REMAKE

HDMDSP-1520-A15C-LF
 LEADFREE
 RoHS Compliant



PART NO. HDMDSP-1520-A15C		CHECKED BY CY	TOLERANCES ARE .X ± 0.2 .XX ± .XXX ± AWG	DESCRIP TION: Mini Displayport Male to VGA short cable			
DWG NO. HDMDSP-1520-A15C							
FILE NO.		DRAWING BY	PROJECTION	AREA	REVISIONS	HK	DATE
UNIT / mm	SCALE 1:1						

煜倫股份有限公司