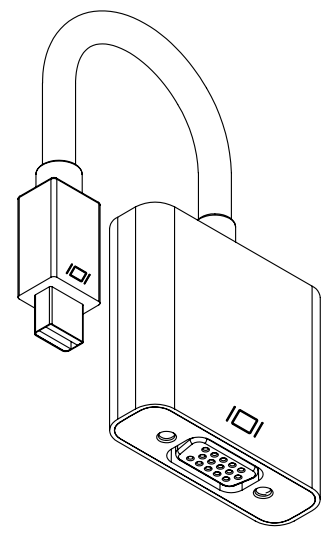
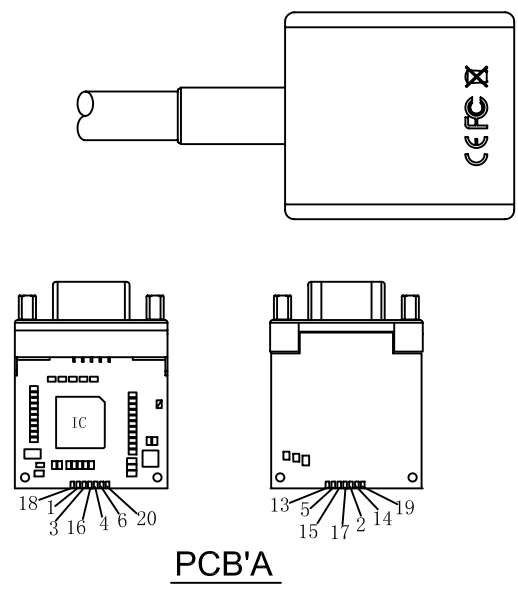
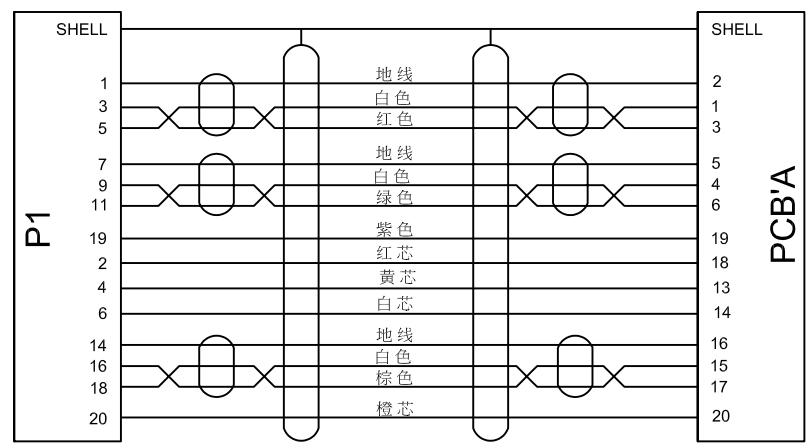
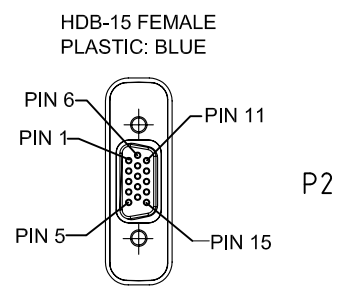
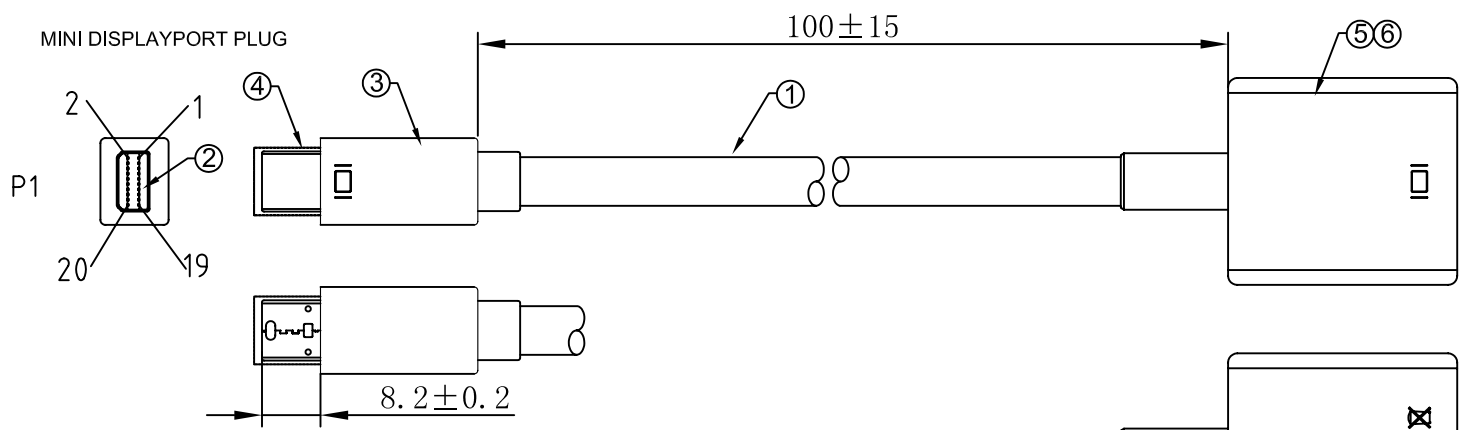


1 2 3 4 5 6 7 8 9 0

J  
I  
H  
G  
F  
E  
D  
C  
B  
A



ITEM	NAME	DESCRIPTION	QTY
6	SHELL	HDB-15 FEMALE SHELL PC+ABS WHITE	1
5	CONN.	HDB-15 FEMALE,BLUE INSULATOR + PCB	1
4	COVER	PC+ABS CLARITY	1
3	SHELL	MINI DP SHELL PC+ABS WHITE	1
2	CONN.	MINI DISPLAYPORT CONNECTOR,MALE,WHITE INSULATOR,G/F	1
1	CABLE	UL20276 32AWG*5C (EAM+D)+32AWG*5C A+B Displayport white	1

**MORETHANALL**  
CONNECTORS  
ASSEMBLIES

**煜倫股份有限公司**

PART NO. HDMDSP-1520-A10C		RoHS Compliant	
DWG NO. HDMDSP-1520-A10C		CHECKED BY CY	TOLERANCES ARE
FILE NO.		DRAWING BY	.X ± 0.2
UNIT / mm	SCALE 1:1	PROJECTION	.XX ±
			.XXX ±
			AWG

DESCRIP TION:		MINI DISPLAYPORT M TO HDB-15 F CABLE		
AREA	REVISIONS	HK	DATE	