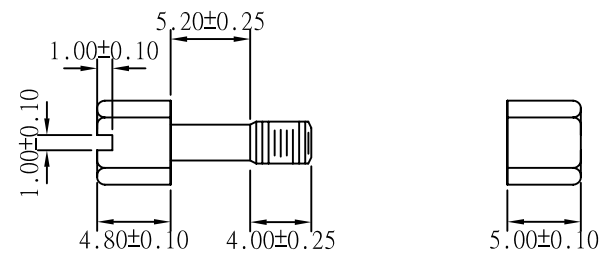
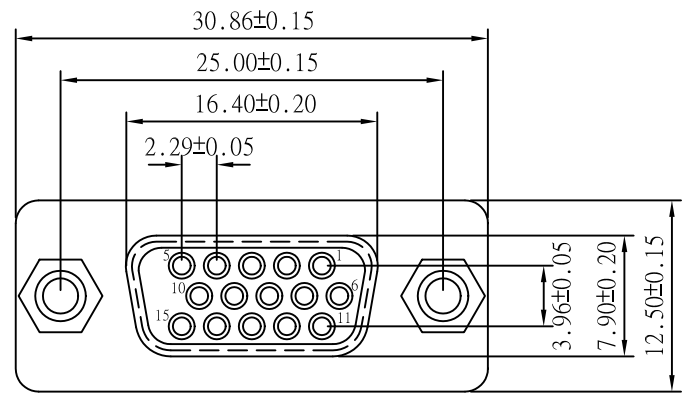
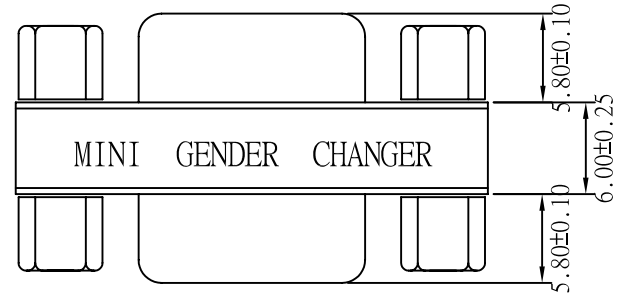
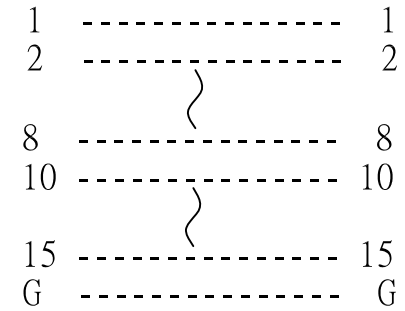


UNC #4-40 Hexscrew UNC #4-40 Hexnut



HD 15 F/F GENDER CHANGER
PIN OUT: 15Female

15Female



Label: yellow color with black character
 One side: MINI GENDER CHANGER
 The other side: U.S.A. PATENT 5199906 GENDER CHANGER
 SPECIFICATION
 INSULATOR: PBT Glass fibre reinforced UL 94 VO
 CONTACT: Brass
 CONTACT PLATING: Gold plated over nickel
 SHELL: Tin plated shell
 CURRENT RATING: 3 AMP
 DIELECTRIC STRENGTH: 1000V AC for one minute
 INSULATOR RESISTANCE: 1000MΩ min at 500V DC
 TEMPERATURE: -55°C—+105°C

MORETHANALL
CONNECTORS
ASSEMBLIES

焯倫有限公司

PART NO. HDHD-FS-1515		APPROVED BY CY		TOLERANCES ARE .X ±0.20 .XX ±0.15 .XXX ±0.05 AWG	DESCRIP TION:			
DWG NO. HDHD-FS-1515		DRAWING BY						
FILE NO.		PROJECTION		AREA	REVISIONS	HK	DATE	
UNIT / mm	SCALE 1:1							