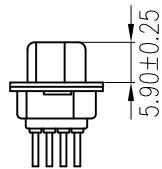
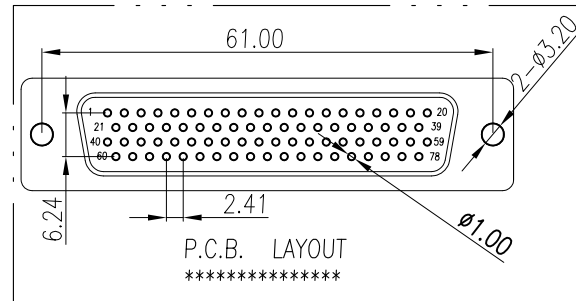
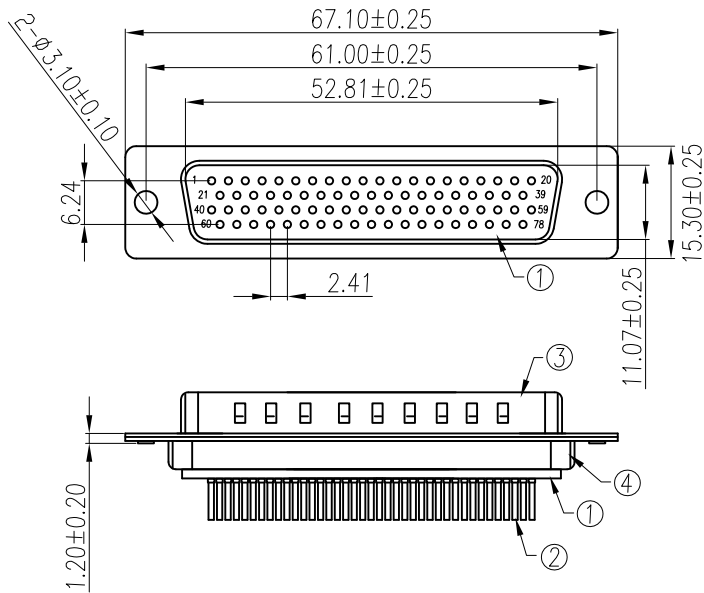


Note:

Specification:

1. Current rating: 1 A Max.
2. Dielectric withstanding voltage: 500 V(ac) for 1 minute.
3. Contact resistance: 30 mΩ Max.
4. Insulation resistance: 1000 MΩ Min at DC 500V.
5. Temperature range: -55°C~+105°C



8	Hex Screw	2	Brass	H5*10	80~120u"Nickel or Tin Plated
7	Boardlock NUT	2	Brass	H4.75*11.5	80~120u"Nickel or Tin Plated
6	8.0 Nut	2	Brass	H4.75*8.0	80~120u"Nickel or Tin Plated
5	3B Nut	2	Brass	H4.75*4.75	80~120u"Nickel or Tin Plated
4	Back-shell	1	Cold Rolled Steel	T=0.40mm	Cu:40u"min. 80~120u"Tin Plated
3	Front-shell	1	Cold Rolled Steel	T=0.40mm	Cu:40u"min. 80~120u"Nickel Plated
2	Contact	78	Brass	T=0.20mm	Contact area:0.8~1.2u"Gold Plated over 40u"Nickel min. Solder area:80~120u"Tin Plated over 40u"Nickel min.
1	Housing	2	P.B.T	UL 94-V0	Black/Blue/White
No.	Part Name	Q'ty	Material	Remarks & Thickness	Finish

RoHS Compliant

TOLERANCES ARE

MORETHANALL
PCB CONNECTORS
Cable ASSEMBLIES

DRAWING BY CY

CHECKED BY GENIUS

UNIT / mm SCALE 1 : 1

DATE

SIZE A4

X, ±
.X ± 0.30
.XX ± 0.20
.XXX ± 0.10
ANG ± 1°

PJECTION

照片框

ORDER INFORMATION

HDD-PS-78-LF
SERIES | LEADFREE
78 WAY
SEMI GOLD
MALE

煜倫股份有限公司

www.morethanall.com

DESCRIPTION: D-SUB HDIP 78PIN(M)