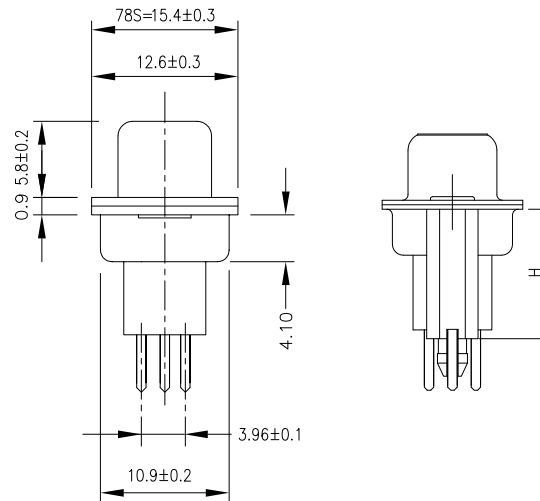
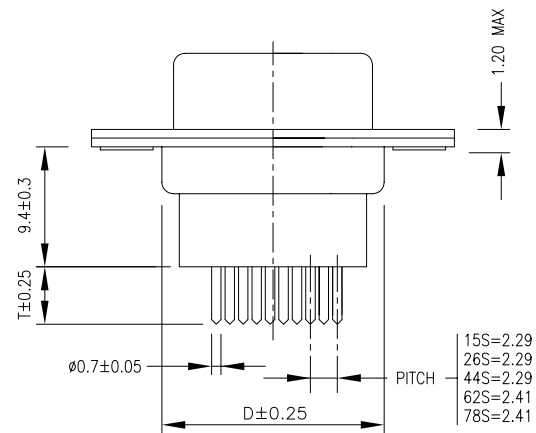


PART NO	A	B	C	D	T	H
HDCDxxx-SSZ-15	30.80	24.99	16.34	19.20	3.6 5.4 7.2	11.0 12.0 12.7 14.5
HDCDxxx-SSZ-26	39.20	33.32	24.70	27.70	3.6 5.4 7.2	11.0 12.0 12.7 14.5
HDCDxxx-SSZ-44	53.00	47.04	38.40	41.10	3.6 5.4 7.2	11.0 12.0 12.7 14.5
HDCDxxx-SSZ-62	69.40	63.50	54.80	57.30	3.6 5.4 7.2	11.0 12.0 12.7 14.5
HDCDxxx-SSZ-78	67.00	61.10	52.20	55.10	3.6 5.4 7.2	11.0 12.0 12.7 14.5



## SPECIFICATION

SHELL: SPCC.

INSULATOR: PBT .

CONTACT: COPPER ALLOY. STAMPED-PIN

CURRENT RATING: 3 Amps

CONTACT RESISTANCE: 15 mOHMS MAX

INSULATOR RESISTANCE: 1000 MOHMS MIN

VOLTAGE: 500V AC FOR 1 MINUTE

TEMPERATURE: -55°C TO +105°C

**RoHS Compliant**

TOLERANCES ARE

**MORETHANALL**  
PCB CONNECTORS  
Cable ASSEMBLIES

DRAWING BY CY

CHECKED BY GENIUS

UNIT / mm

SCALE 1 : 1

DATE

SIZE A4

PJECTION

X, ±  
.X ± 0.30  
.XX ± 0.25  
.XXX ± 0.15  
ANG ±

照片框

**ORDER INFORMATION**

**HDCDxxx-SSZ-xx-LF**

SERIES

110:HIGH 11.0mm  
120:HIGH 12.0mm  
127:HIGH 12.7mm  
145:HIGH 14.5mm

LEADFREE  
15~78 WAY  
CLIP  
SEMI GOLD  
FEMALE

煜倫股份有限公司

www.morethanall.com

DESCRIPTION: