

## Material & Finish

### SHELL:

Steel  
Zinc plated, Tin plated  
or Nickel plated steel

### PIN CONTACT:

Phosphor bronze or brass

### INSULATOR:

PBT & Glass-fibre reinforced  
UL 94V-0

### NUMBER OF CONTACT:

15,26,44,62

### CURRENT RATING:

5 Amp

### DIELECTRIC STRENGTH:

AC 1000V Min. (for one minute)

### INSULATOR RESISTANCE:

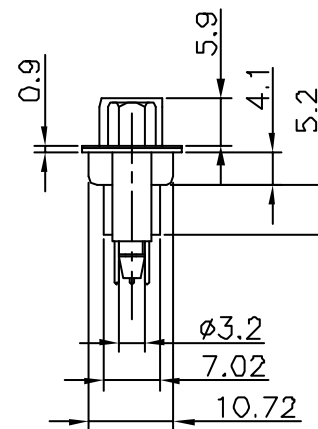
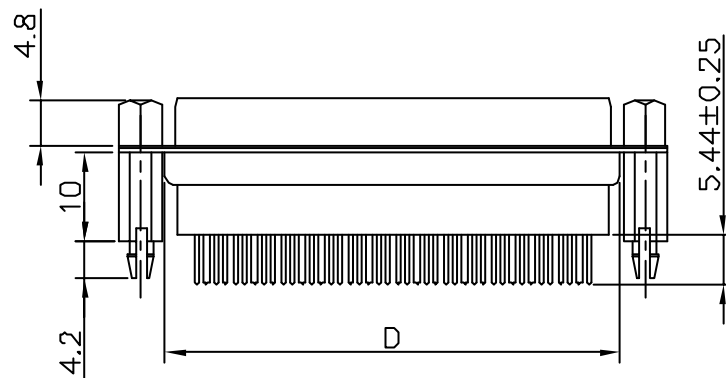
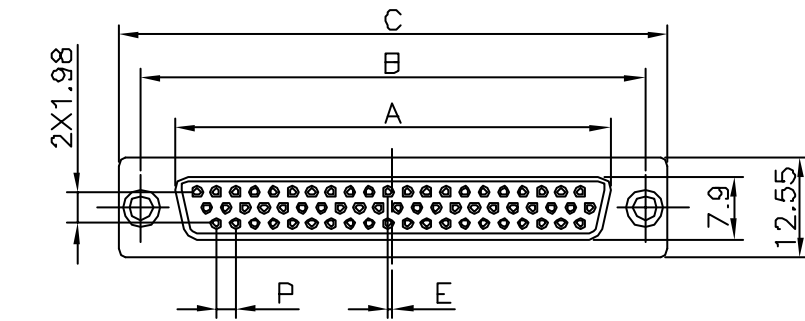
1000M $\Omega$  Min. (at 500V DC)

### CONTACT RESISTANCE

15m $\Omega$  Max. mated

### TEMPERATURE:

-55° C to +105° C



### Positions

	A	B	C	D	E	P
15	16.30	24.99	30.80	19.30	0.25	2.29
26	24.70	33.32	39.10	27.50	0.51	2.29
44	38.40	47.04	53.00	41.10	0.51	2.29
62	54.80	63.50	69.30	57.30	0.58	2.41

RoHS Compliant

TOLERANCES ARE

**MORETHANALL**  
PCB CONNECTORS  
Cable ASSEMBLIES

煜倫股份有限公司

www.morethanall.com

DRAWING BY CY

CHECKED BY GENIUS

UNIT / mm SCALE 1 : 1

DATE

SIZE A4

X, ±  
.X ±  
.XX ±  
.XXX ±  
ANG ±

PPOJECTION

照片框

### ORDER INFORMATION

HDCD100-SSZJ-xx-LF

SERIES

LEADFREE  
15-62 WAY  
JACKSCREW  
CLIP  
SEMI GOLD  
FEMALE

DESCRIPTION: