

煜倫有限公司

PART NO. HC-W-0301

DWG NO. HC-W-0301

FILE NO.

UNIT / mm

APPROVED BY CY

DRAWING BY

PROJECTION

TOLERANCES ARE

X ± 0.25
XX ± 0.25
XXX
AWG

DESCRIPTION:

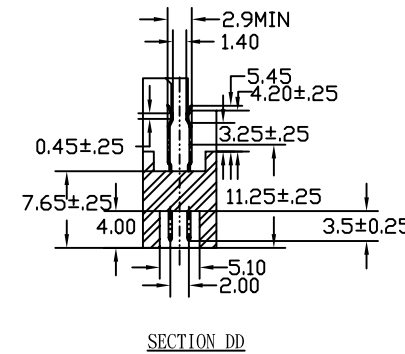
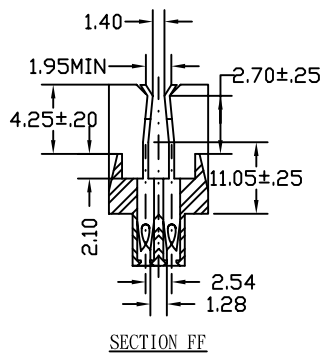
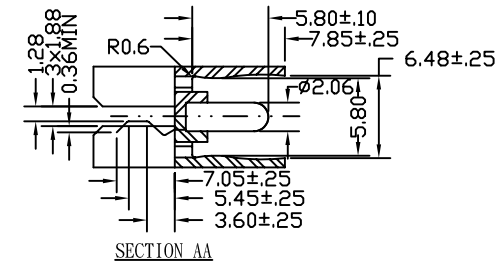
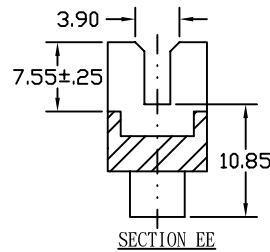
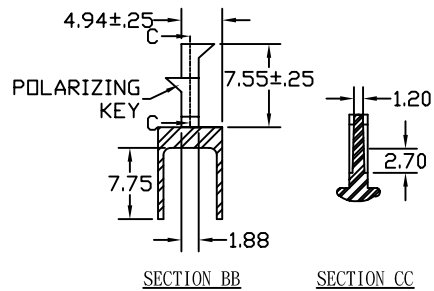
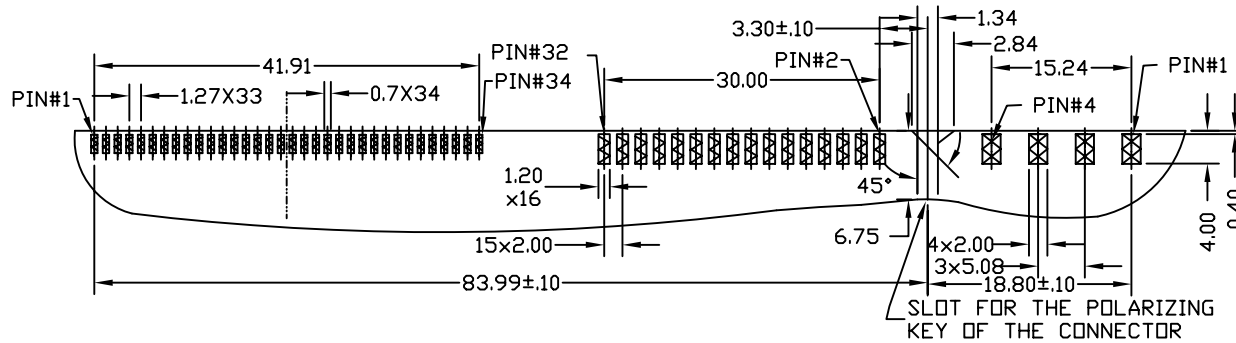
3 IN 1

AREA

REVISIONS

HK

DATE



M MORETHANALL
 CONNECTORS
 ASSEMBLIES

PART NO. HC-W-0301

DWG NO. HC-W-0301

APPROVED BY CY

TOLERANCES ARE

DESCRIPTION: 3 IN 1

焯倫有限公司

FILE NO.

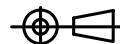
DRAWING BY

.X ± 0.25
 .XX ± 0.25
 .XXX
 AWG

UNIT / mm

SCALE 1:1

PROJECTION



AREA

REVISIONS

HK

DATE