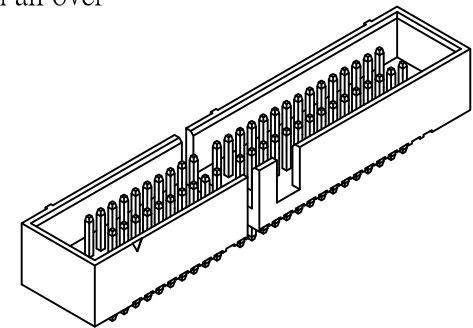
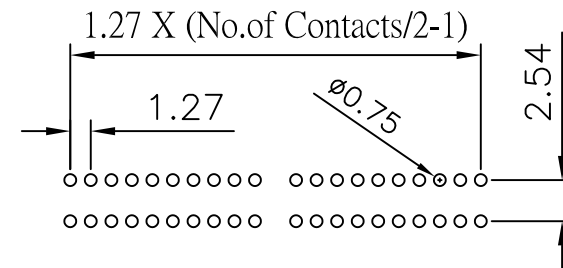


Current Rating: 1 Amps
 Insulator Resistance: 5000 Megohms min
 Contact Resistance: 20 m ohms max
 Dielectric Withstanding: 500 V AC
 Operating Temperature: $-40^{\circ} \sim +105^{\circ} \text{C}$
 Max Processing Temp: 230°C for 60 seconds
 Max Processing Temp: 260°C for 10 seconds
 Contact Material: Copper Alloy
 Insulator Material: High Temperature Polyester, UL 94V-0
 Standard: Gold Flash all over



Recommended P.C. Board Hole Layout



MORETHANALL
 PCB CONNECTORS
 Cable ASSEMBLIES

煜倫股份有限公司

www.morethanall.com

RoHS Compliant

DRAWING BY CY

CHECKED BY GENIUS

UNIT / mm SCALE 1 : 1

DATE

SIZE A4

TOLERANCES ARE

X, ±
 .X ± 0.30
 .XX ± 0.20
 .XXX ± 0.10
 ANG ±

P PROJECTION

照片框

ORDER INFORMATION

HB-D2H05-xxx-LF
 SERIES LEADFREE
 010~100 WAY
 HIGH 5.80mm
 2 ROW
 DIP 180°

DESCRIPTION: