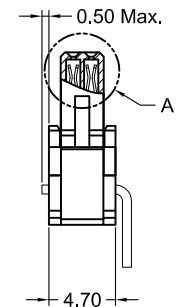
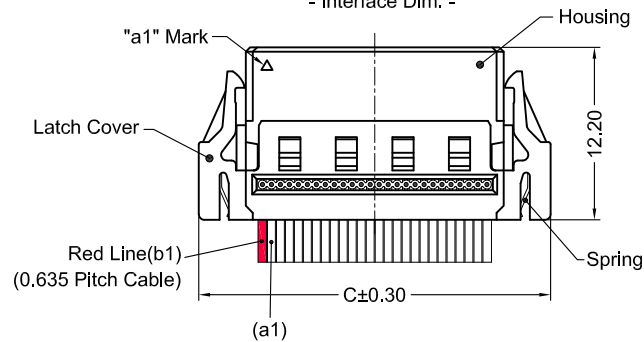
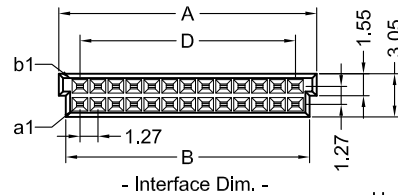
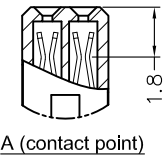


Specification

< Connector >
 Housing Material LCP, UL94V-0.
 Latch Cover Material PA66, UL94V-0.
 Contact Material Copper Alloy
 Spring Material Stainless
 Contact Plating Au over Ni

< Cable >
 Size: 30 AWG
 Outer Diameter 0.66±0.1 mm
 Pitch 0.635 mm
 Material PVC
 Max Operating Temp. -20°C ~ +105°C (PVC)
 -40°C ~ +125°C (TPE)

< Mechanical >
 Mating Force ≤0.8N (Per-Pin)
 Separating Force ≥0.1N (Per-Pin)
 Mating Cycle 500



DIM. TABLE

PIN NO.	DIM A	DIM B	DIM C	DIM D
12	9.35	8.35	16.20	6.35
16	11.89	10.89	18.74	8.89
20	14.43	13.43	21.28	11.43
26	18.24	17.24	25.09	15.24
30	20.78	19.78	27.63	17.78
32	22.05	21.05	28.90	19.05
40	27.13	26.13	33.98	24.13
50	33.48	32.48	40.33	30.48
68	44.91	43.91	51.76	41.91
80	52.53	51.53	59.38	49.53

RoHS Compliant

TOLERANCES ARE

MORETHANALL
 PCB CONNECTORS
 Cable ASSEMBLIES

DRAWING BY CY

CHECKED BY GENIUS

UNIT / mm SCALE 1 : 1

DATE

SIZE A4

X, ±
 X ± 0.35
 .XX ± 0.20
 .XXX ± 0.10
 ANG ± 2°

PJECTION

照片框

ORDER INFORMATION

HAUB2X2-xxyyFx-Fxxx-LF

SERIES

LEADFREE

1M:100CM

3M:300CM

30C:300mm

1212:12 TO 12 WAY

8080:80 TO 80 WAY

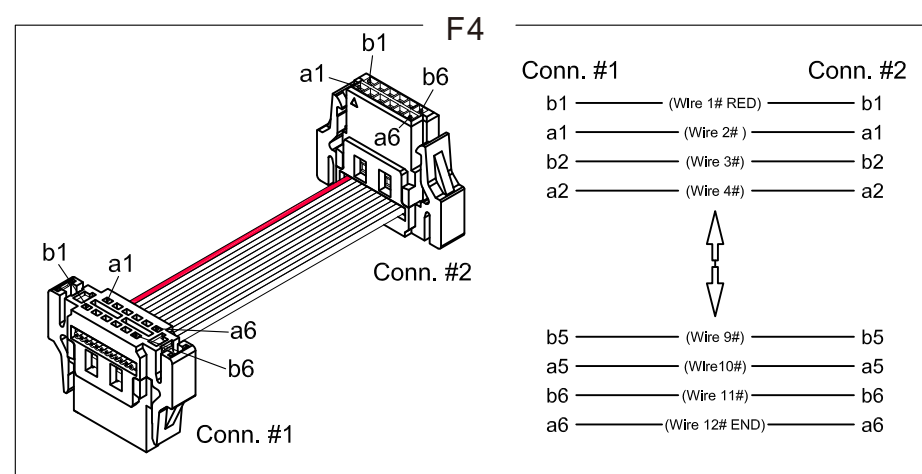
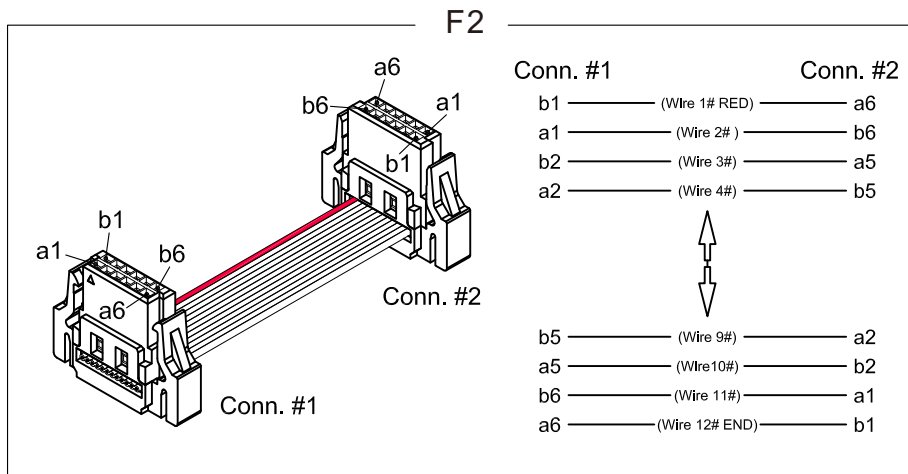
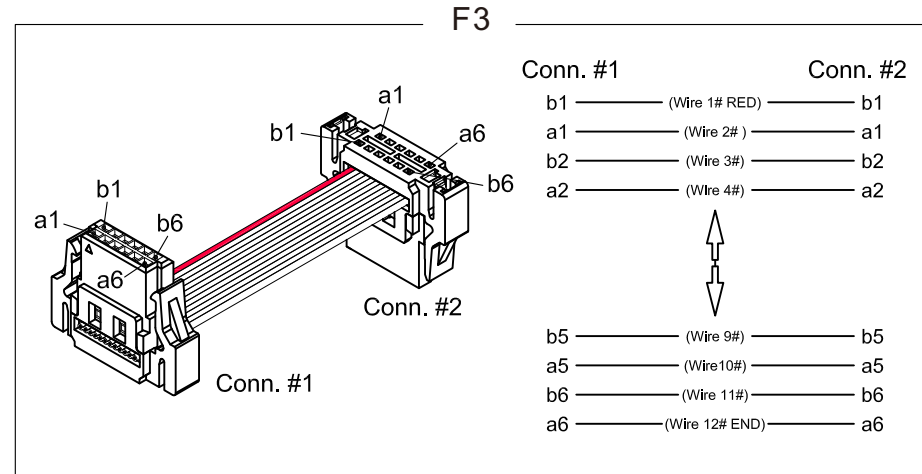
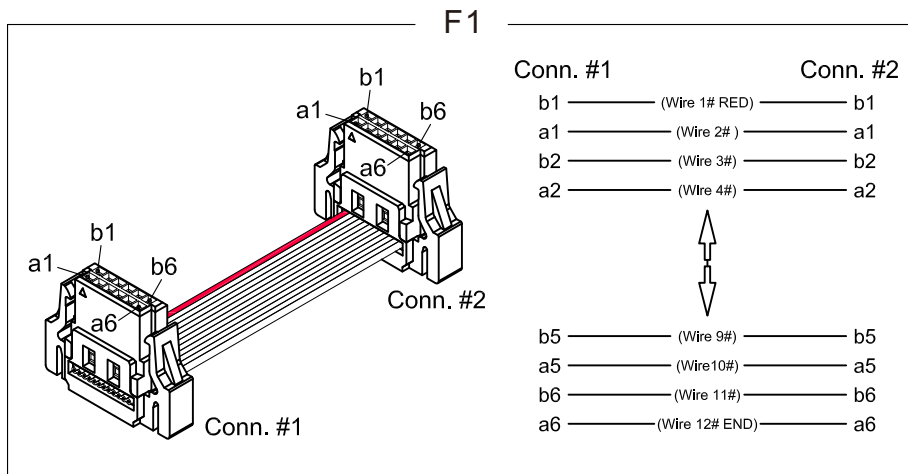
FEMALE TO FEMALE

F1-F4 TYPE

煜倫股份有限公司

www.morethanall.com

DESCRIPTION:1.27 Pitch IDC Female Cable Assembly



RoHS Compliant

TOLERANCES ARE

MORETHANALL
PCB CONNECTORS
Cable ASSEMBLIES

DRAWING BY CY

CHECKED BY GENIUS

UNIT / mm SCALE 1 : 1

DATE

SIZE A4

X, ±
.X ± 0.35
.XX ± 0.20
.XXX ± 0.10
ANG ± 2°

PJECTION

照片框

ORDER INFORMATION

HAUB2X2-xxyyFx-Fxxx-LF

SERIES

LEADFREE

1M:100CM

3M:300CM

30C:300mm

1212:12 TO 12 WAY

8080:80 TO 80 WAY

FEMALE TO FEMALE

F1-F4 TYPE

煜倫股份有限公司

www.morethanall.com

DESCRIPTION:1.27 Pitch IDC Female Cable Assembly