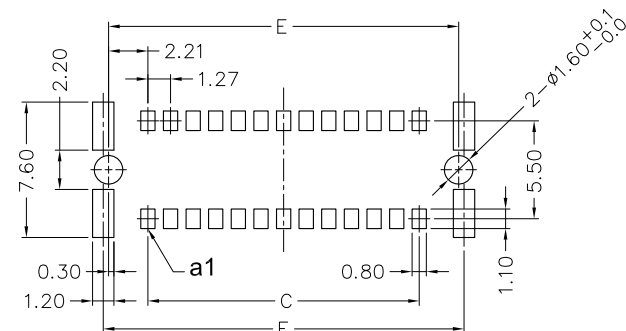
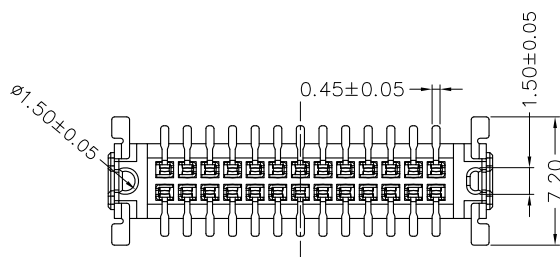
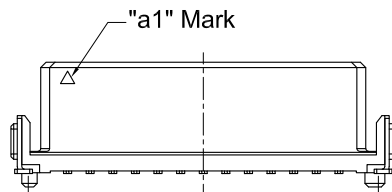
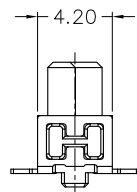
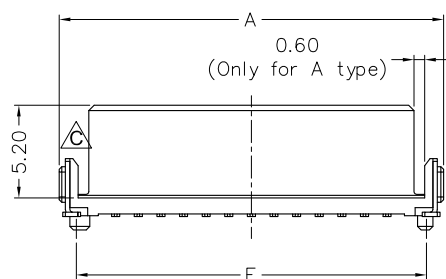


CROSS SECTION
SCALE 2/1



RECOMENDED PCB LAYOUT
TOLERANCE:±0.05



Specification

Insulator Material: High Temp. Thermoplastic, UL94V-0.
 Contact Material: Phosphor Bronze.
 Board Lock Material: Brass.
 Contact Plating: Au on Contact Area.
 Sn (100μ" Min.) on Soldertail.
 Nicle (Contact-80μ" Min.) / Soldertail-50μ" Min.)
 Board Lock Plating: Sn(100μ" Min.) over Nickel (40μ" Min.)
 Current Rating: 1.7A Max.
 Contact Resistance: 25 Milliohms Max.
 Insulator Resistance: 1000 Megohms Min.
 Dielectric Withstanding: 500V AC for 1 Minute.
 Operating Temperature: -55°C ~ +125°C.
 Max. Processing Temp.: 230°C for 30~60 seconds.
 260°C for 10 seconds.

DIM-TABLE

PIN NO.	DIM A	DIM B	DIM C	DIM D	DIM E	DIM F
10	11.43	7.10	5.08	8.10	9.50	10.07
12	12.70	8.37	6.35	9.37	10.77	11.34
16	15.24	10.91	8.89	11.91	13.31	13.88
20	17.78	13.45	11.43	14.45	15.85	16.42
24	20.32	15.99	13.97	16.99	18.39	18.96
26	21.59	17.26	15.24	18.26	19.66	20.23
30	24.13	19.80	17.78	20.80	22.20	22.77
32	25.40	21.07	19.05	22.07	23.47	24.04
40	30.48	26.15	24.13	27.15	28.55	29.12
50	36.83	32.50	30.48	33.50	34.90	35.47
68	48.26	43.93	41.91	44.93	46.33	46.90
80	55.88	51.55	49.53	52.55	53.95	54.52

RoHS Compliant

MORETHANALL
PCB CONNECTORS
Cable ASSEMBLIES

煜倫股份有限公司

www.morethanall.com

DRAWING BY CY
 CHECKED BY GENIUS
 UNIT / mm SCALE 1 : 1
 DATE
 SIZE A4 PPROJECTION

TOLERANCES ARE

X, ±
 .X ± 0.35
 .XX ± 0.20
 .XXX ± 0.10
 ANG ± 2°

照片框

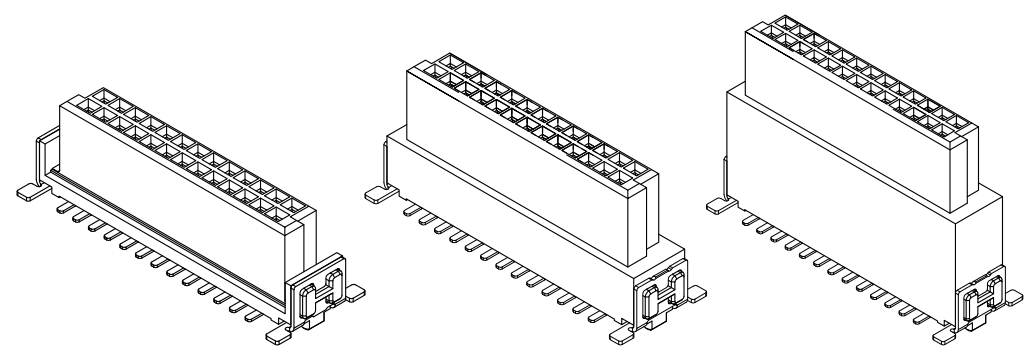
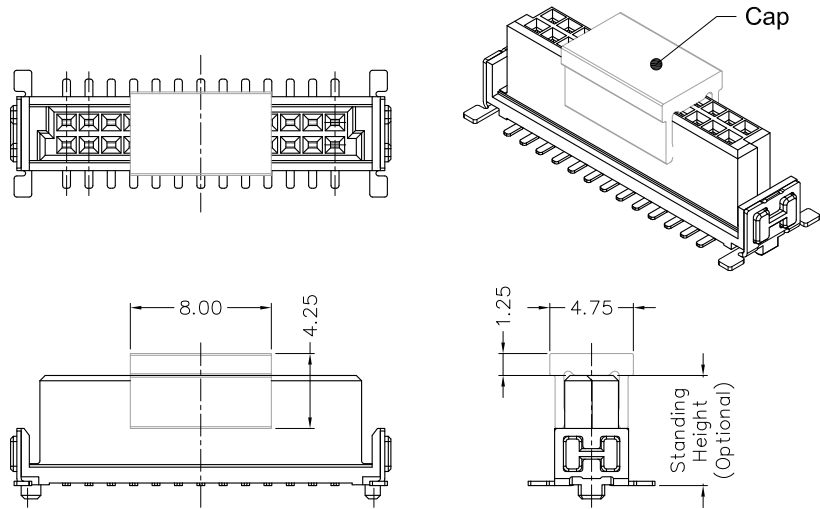
ORDER INFORMATION

HAUB-SVxxPC-xxx-LF

SERIES LEADFREE
 012-080WAY

FEMALE CAP POST
 180°SMT 62:UNMATED HIGH 6.25mm
 90:UNMATED HIGH 9.05mm
 130:UNMATED HIGH 13.65mm

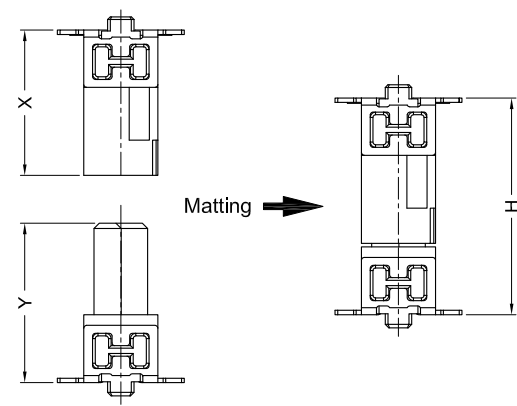
DESCRIPTION: 1.27 Female Connector Vertical SMT Type



STANDING HEIGHT: A (6.25)
HAUB-SV62P-xxx

STANDING HEIGHT: B (9.05)
HAUB-SV90P-xxx

STANDING HEIGHT: C (13.65)
HAUB-SV130P-xxx



Connector Height		Stacking Height
X	Y	H(Matting)
6.75	6.25	8.0
	9.05	10.8
	13.65	15.4
8.25	6.25	9.5
	9.05	12.3
	13.65	16.9
9.85	6.25	11.1
	9.05	13.9
	13.65	18.5

RoHS Compliant

TOLERANCES ARE



DRAWING BY CY

CHECKED BY GENIUS

UNIT / mm

SCALE 1 : 1

DATE

SIZE A4

X, ±
.X ± 0.35
.XX ± 0.20
.XXX ± 0.10
ANG ± 2°

PJECTION

照片框

ORDER INFORMATION

HAUB-SVxxPC-xxx-LF

SERIES | | | LEADFREE
012-080WAY

FEMALE | | | CAP
180°SMT | | | POST

62:UNMATED HIGH 6.25mm
90:UNMATED HIGH 9.05mm
130:UNMATED HIGH 13.65mm

煜倫股份有限公司

www.morethanall.com

DESCRIPTION: 1.27 Female Connector Vertical SMT Type