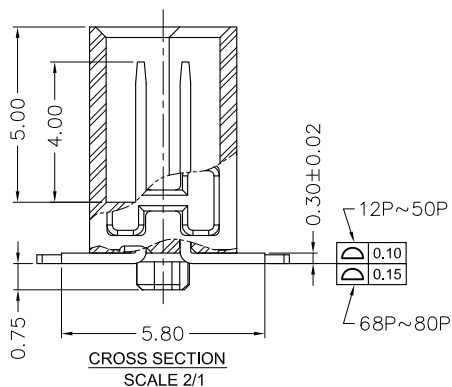
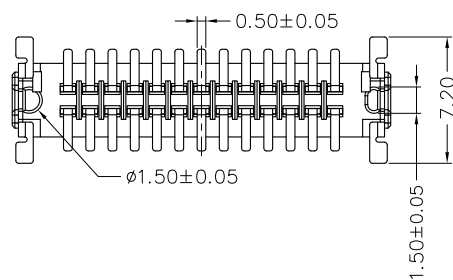
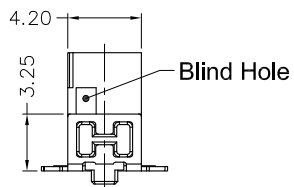
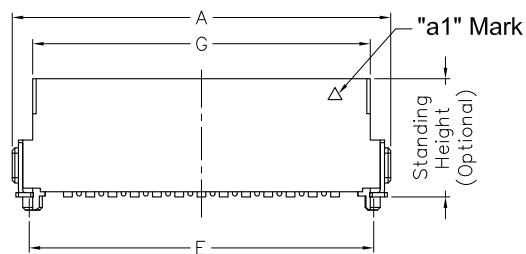


DIM-TABLE

PIN NO.	DIM A	DIM B	DIM C	DIM D	DIM E	DIM F	DIM G
10	11.43	7.30	5.08	8.30	9.50	10.07	9.10
12	12.70	8.57	6.35	9.57	10.77	11.34	10.37
16	15.24	11.11	8.89	12.11	13.31	13.88	12.91
20	17.78	13.65	11.43	14.65	15.85	16.42	15.45
24	20.32	16.19	13.97	17.19	18.39	18.96	17.99
26	21.59	17.46	15.24	18.46	19.66	20.23	19.26
30	24.13	20.00	17.78	21.00	22.20	22.77	21.80
32	25.40	21.27	19.05	22.27	23.47	24.04	23.07
40	30.48	26.35	24.13	27.35	28.55	29.12	28.15
50	36.83	32.70	30.48	33.70	34.90	35.47	34.50
68	48.26	44.13	41.91	45.13	46.33	46.90	45.93
80	55.88	51.75	49.53	52.75	53.95	54.52	53.55



**Specification**

- Insulator Material: High Temp. Thermoplastic, UL94V-0.
- Contact Material: Phosphor Bronze.
- Board Lock Material: Brass.
- Contact Plating: Au on Contact Area.
- Sn (100μ" Min.) on Soldertail.
- Nickle (Contact - 80μ" Min. / Soldertail - 50μ" Min.)
- Board Lock Plating: Sn(100μ" Min.) over Nickel (40μ" Min.)
- Current Rating: 1.7A Max.
- Contact Resistance: 25 Milliohms Max.
- Insulator Resistance: 1000 Megohms Min.
- Dielectric Withstanding: 500V AC for 1 Minute.
- Operating Temperature: -55°C ~ +125°C.
- Max. Processing Temp.: 230°C for 30~60 seconds. 260°C for 10 seconds.

RoHS Compliant

TOLERANCES ARE

**MORETHANALL**  
PCB CONNECTORS  
Cable ASSEMBLIES

DRAWING BY CY

CHECKED BY GENIUS

UNIT / mm

SCALE 1 : 1

DATE

SIZE A4

X, ±  
.X ± 0.35  
.XX ± 0.20  
.XXX ± 0.10  
ANG ± 2°

P PROJECTION

照片框

ORDER INFORMATION

HAUB-PVxxPC-xxx-LF

SERIES | | | | LEADFREE  
012-080WAY

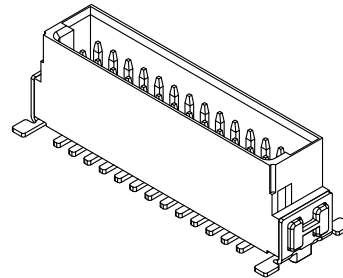
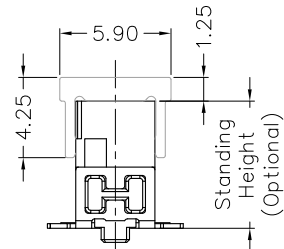
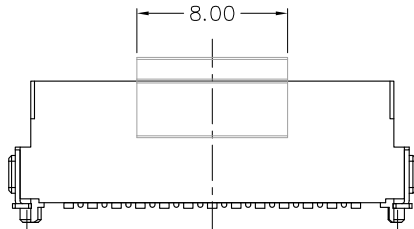
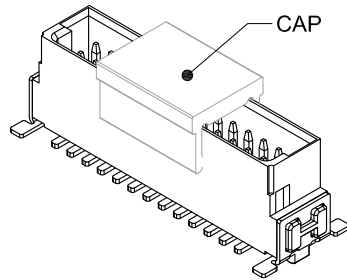
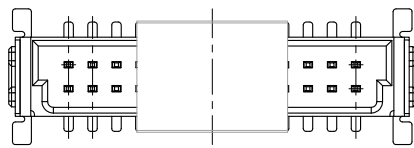
CAP POST

MALE 17: UNMATED HIGH 1.70mm  
180°SMT 32: UNMATED HIGH 3.25mm  
48: UNMATED HIGH 4.80mm

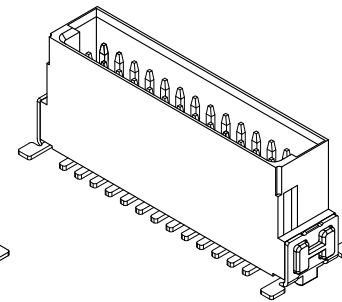
煜倫股份有限公司

www.morethanall.com

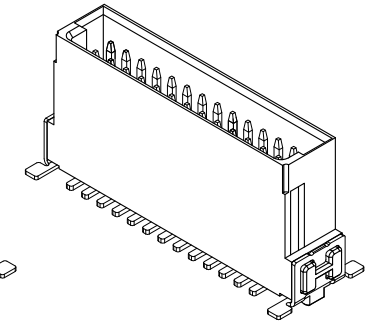
DESCRIPTION:



STANDING HEIGHT: A (6.75)  
HAUB-PV17P-xxx

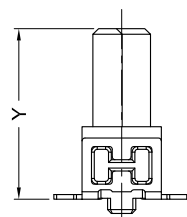
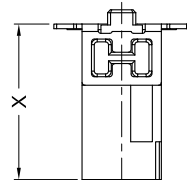


STANDING HEIGHT: B (8.25)  
HAUB-PV32P-xxx

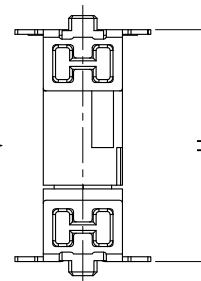


STANDING HEIGHT: C (9.85)  
HAUB-PV48P-xxx

< SMC04 Series >



Matting →



Connector Height		Stacking Height
X	Y	H(Matting)
6.75	6.25	8.0
	9.05	10.8
	13.65	15.4
8.25	6.25	9.5
	9.05	12.3
	13.65	16.9
9.85	6.25	11.1
	9.05	13.9
	13.65	18.5

< SMC02 Series >

RoHS Compliant

TOLERANCES ARE

**MORETHANALL**  
PCB CONNECTORS  
Cable ASSEMBLIES

DRAWING BY CY

CHECKED BY GENIUS

UNIT / mm

SCALE 1 : 1

DATE

SIZE A4

X, ±  
.X ± 0.35  
.XX ± 0.20  
.XXX ± 0.10  
ANG ± 2°

P PROJECTION

照片框

ORDER INFORMATION

HAUB-PVxxPC-xxx-LF

SERIES | | | LEADFREE  
012-080WAY

CAP  
POST

MALE 17: UNMATED HIGH 1.70mm  
180°SMT 32: UNMATED HIGH 3.25mm  
48: UNMATED HIGH 4.80mm

煜倫股份有限公司

www.morethanall.com

DESCRIPTION: