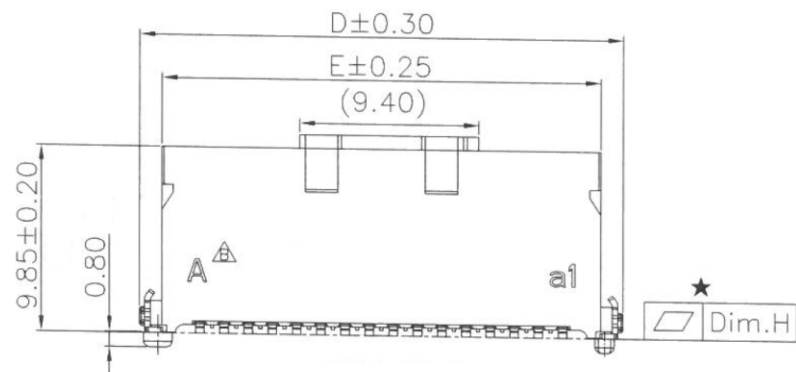
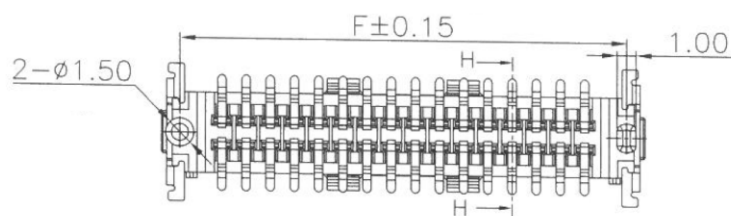


Pin No.	Dim.H
≤ 25pin	0.12
> 25pin	0.15

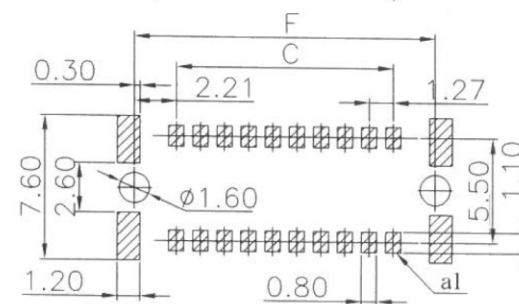
Specifications
 Current Rating:1.70Amp/pin
 Insulation Resistance:10000MΩMin.
 Dielectric Withstanding Voltage:500VAC
 Contact Resistance:25mΩMax.
 Operating Temperature:-55°C to +125°C
 Materials
 Contact Material:Phosphor Bronze
 Insulator Material:High Temperature Thermoplastic, UL 94V-0 LCP or the equivalent material



No. of PIN/ROW	Dimension Information					
	A	B	C	D	E	F
2x8	12.11	11.11	8.89	15.24	12.89	13.31
2x10	14.65	13.65	11.43	17.78	15.43	15.85
2x13	18.46	17.46	15.24	21.59	19.24	19.66
2x16	22.27	21.27	19.05	25.40	23.05	23.47
2x20	27.35	26.35	24.13	30.48	28.13	28.55
2x25	33.70	32.70	30.48	36.83	34.48	34.90



Recommended P.C.Board Layout
 (Tolerance:±0.05)



RoHS Compliant

TOLERANCES ARE

MORETHANALL
 PCB CONNECTORS
 Cable ASSEMBLIES

煜倫股份有限公司

www.morethanall.com

DRAWING BY CY

CHECKED BY GENIUS

UNIT/mm SCALE 1:1

DATE

SIZE A4

X. ± 0.30
 X. ± 0.25
 .XX ± 0.15
 .XXX ± 0.10
 ANG ±

PJECTION

照片框

ORDER INFORMATION

HAUB-PV48PC-xxx-LF

SERIES LEADFREE
 010~080WAY
 CAP POST
 UNMATED HIGH 4.8mm
 180°SMT

DESCRIPTION: