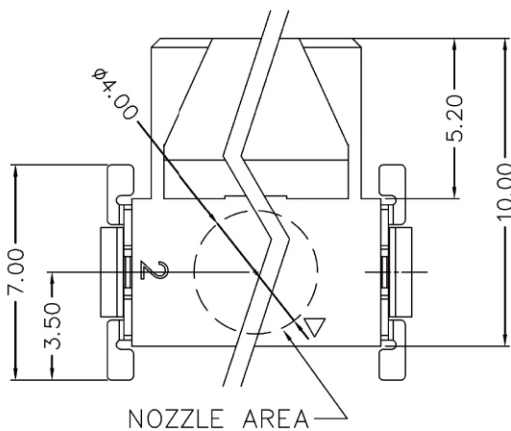
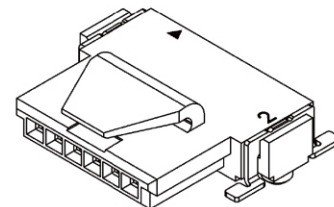
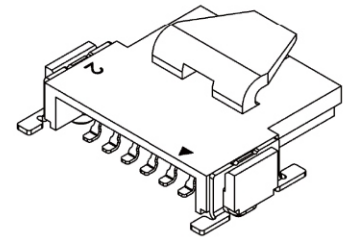
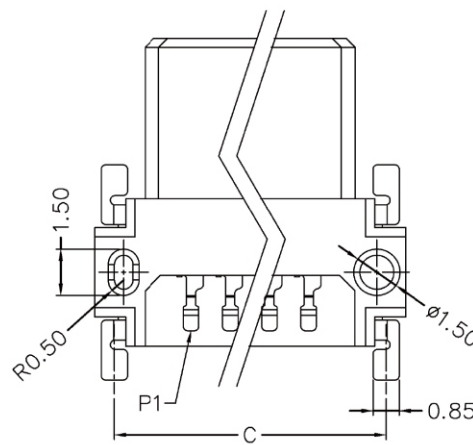
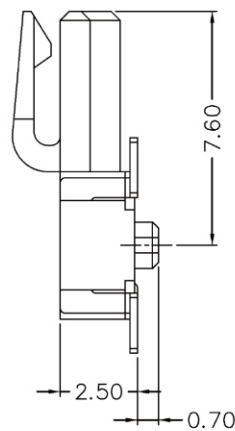


RECOMENDED PCB LAYOUT
TOLERANCE:±0.05



NOZZLE AREA



Material:

Housing: PA6T, UL94V-0, Black.

Contacts: High conductivity copper, Gold Plated on Contact Area over 80u" Nickel and 100u" Tin Plated on Solder over 50u" Nickel.

Lock: Brass, 100u" Tin Plated over 40u" Nickel.

Electrical Characteristics:

Current Rating: 5 AMP.

Dielectric Withstanding Voltage: AC 500V.

Insulation Resistance: 1000MΩ min.

Contact Resistance: 25mΩ max.

Operating Temperature: -55°C~+125°C.

***RoHS Compliant**

Positions	A	B	C	D
02	7.56	5.69	6.29	4.3
03	8.83	6.96	7.56	5.6
04	10.10	8.23	8.83	6.0
06	12.64	10.77	11.37	
08	15.18	13.31	13.91	
10	17.72	15.85	16.45	
12	20.26	18.39	18.99	

RoHS Compliant

TOLERANCES ARE

MORETHANALL
PCB CONNECTORS
Cable ASSEMBLIES

煜倫股份有限公司

www.morethanall.com

DRAWING BY CY

CHECKED BY GENIUS

UNIT / mm SCALE 1 : 1

DATE

SIZE A4

X, ±
.X ± 0.35
.XX ± 0.20
.XXX ± 0.10
ANG ±

P PROJECTION

照片框

ORDER INFORMATION

HAUA-SW89P-xx-LF

SERIES | | | LEADFREE
| | | 02~12 WAY
| | | POST
| | | UNMATED LONG 8.9mm
| | | 90°SMT
| | | FEMALE

DESCRIPTION: