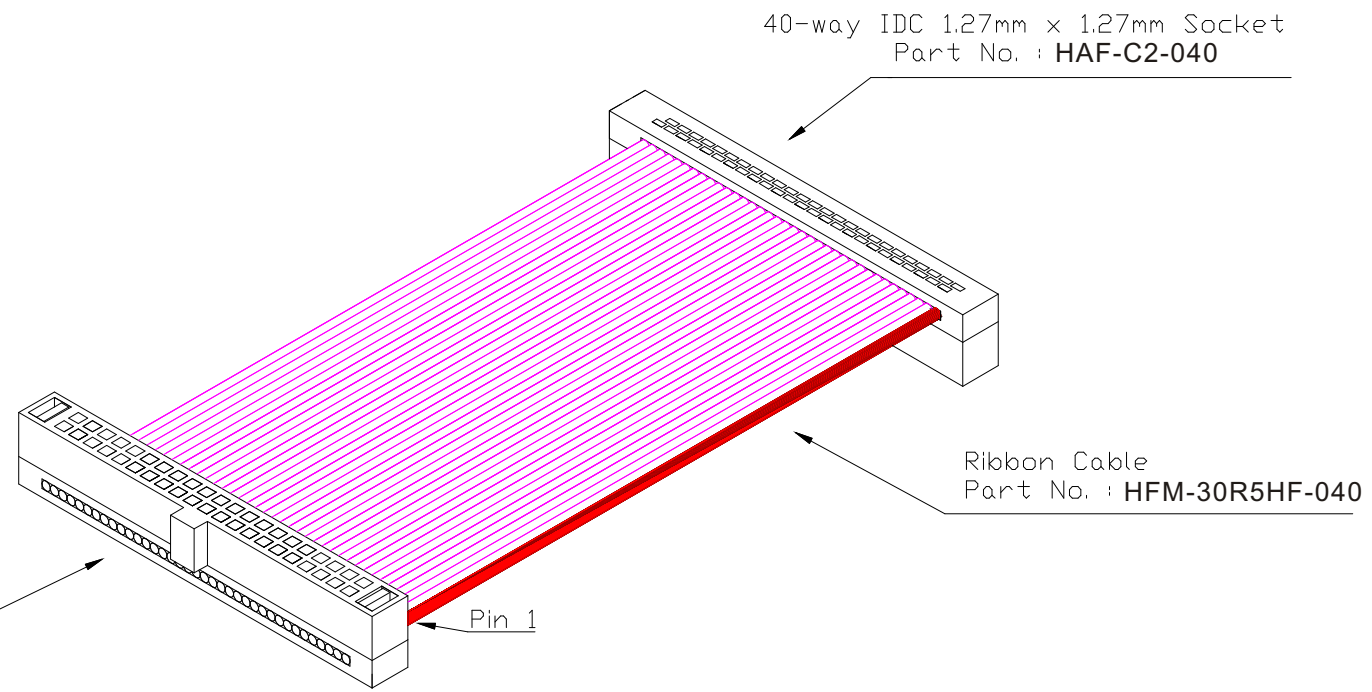
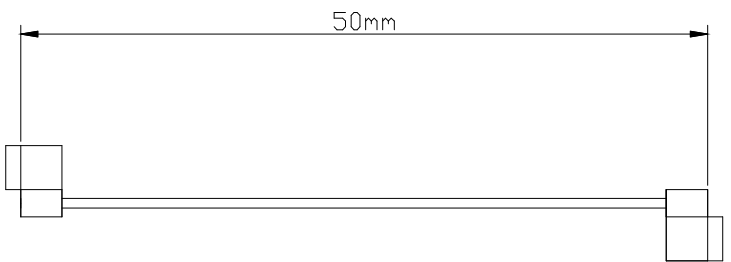


1 2 3 4 5 6 7 8 9 0

J
I
H
G
F
E
D
C
B
A



40-way IDC 1.27mm x 1.27mm Socket
Part No. : HAF-C2-040

HAF2X2-4040BS-F5C-LF
LEADFREE

RoHS Compliant

M MORETHANALL
CONNECTORS
ASSEMBLIES

PART NO. HAF2X2-4040BS-F5C

DWG NO. HAF2X2-4040BS-F5C

CHECKED BY CY

TOLERANCES ARE

DESCRIP TION:

FILE NO.

DRAWING BY

.X ± 0.2
.XX ± 0.1
.XXX ±
AWG

AREA

REVISIONS

HK

DATE

煜倫股份有限公司

UNIT / mm

SCALE 1:1

PROJECTION