

1 2 3 4 5 6 7 8 9 0

J

I

H

G

F

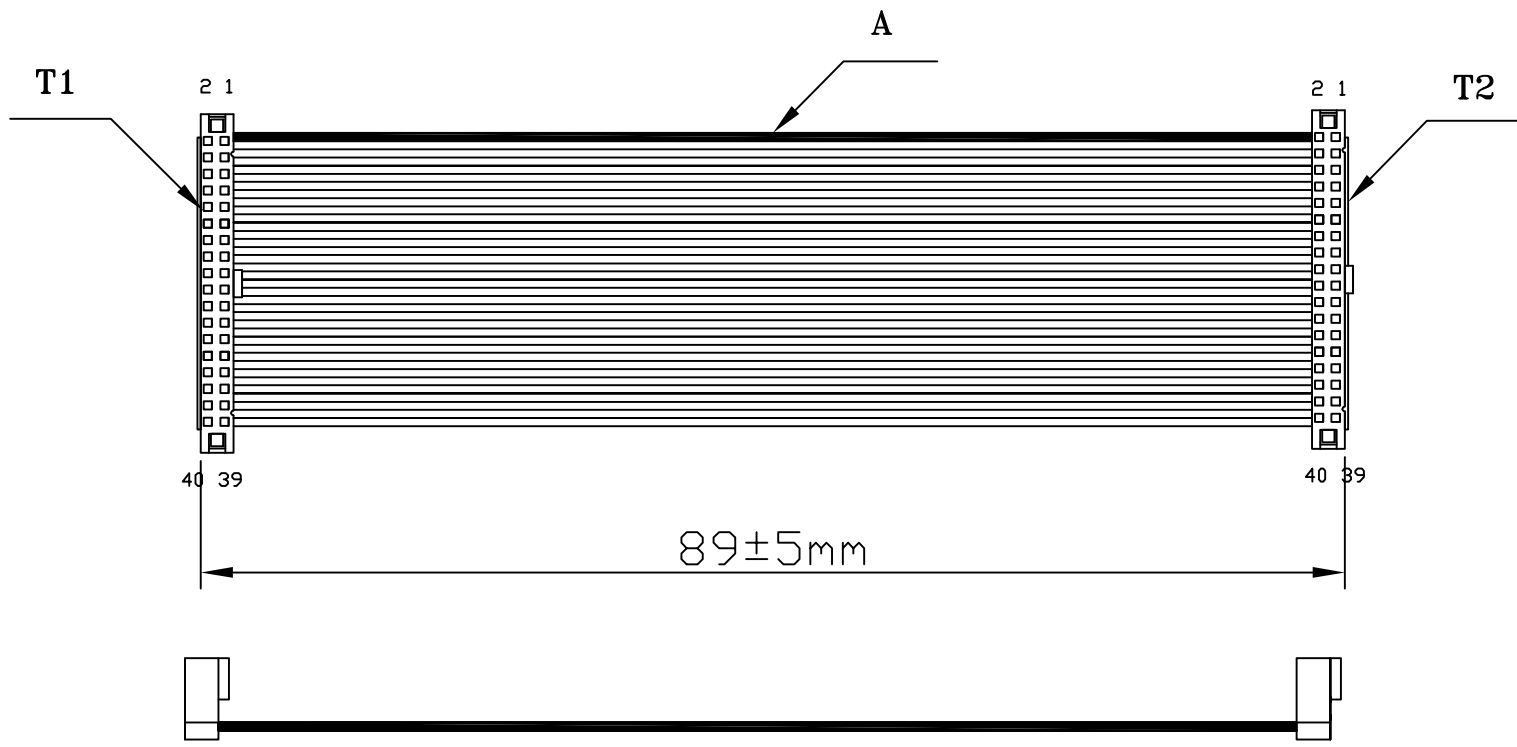
E

D

C

B

A



HAF2X2-4040-F3N5-LF
LEADFREE

RoHS Compliant

A	UL2678 #30 *40P PH:0.635 GRAY
T1	IDC 1.27*1.27 SOCKET 全金二件 40P
T2	IDC 1.27*1.27 SOCKET 全金二件 40P

MORETHANALL
CONNECTORS
ASSEMBLIES

PART NO. HAF2X2-4040-F3N5

DWG NO. HAF2X2-4040-F3N5

FILE NO.

UNIT / mm

SCALE 1:1

CHECKED BY CY

DRAWING BY

PROJECTION

TOLERANCES ARE

.X ± 0.2

.XX ±

.XXX ±

AWG

DESCRIPTION:

AREA	REVISIONS	HK	DATE
------	-----------	----	------

煜倫股份有限公司