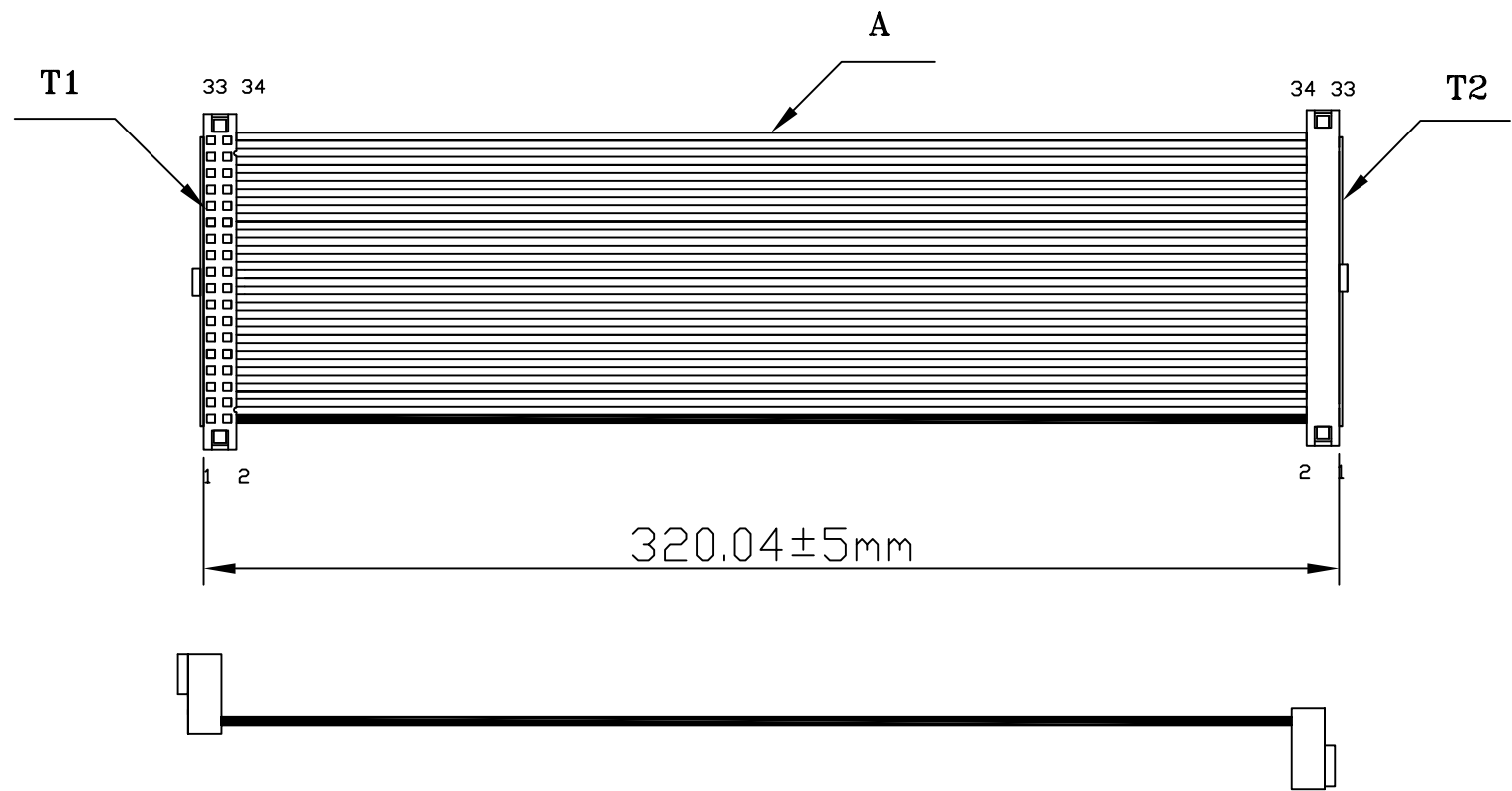


1 2 3 4 5 6 7 8 9 0

J
I
H
G
F
E
D
C
B
A



A	UL2678 #30 *34P PH=0.635mm GRAY
T1	IDC 1.27*1.27 SOCKET 全金二件 34P
T2	IDC 1.27*1.27 SOCKET 全金二件 34P

RoHS Compliant



PART NO. HAF2X2-3434BS-F12N6

DWG NO. HAF2X2-3434BS-F12N6

FILE NO.

UNIT / mm

SCALE 1:1

CHECKED BY CY

DRAWING BY

PROJECTION

TOLERANCES ARE

.X ± 0.2
.XX ±
.XXX ±
AWG

DESCRIPTION:

AREA

REVISIONS

HK

DATE

2011.1.12

煜倫股份有限公司