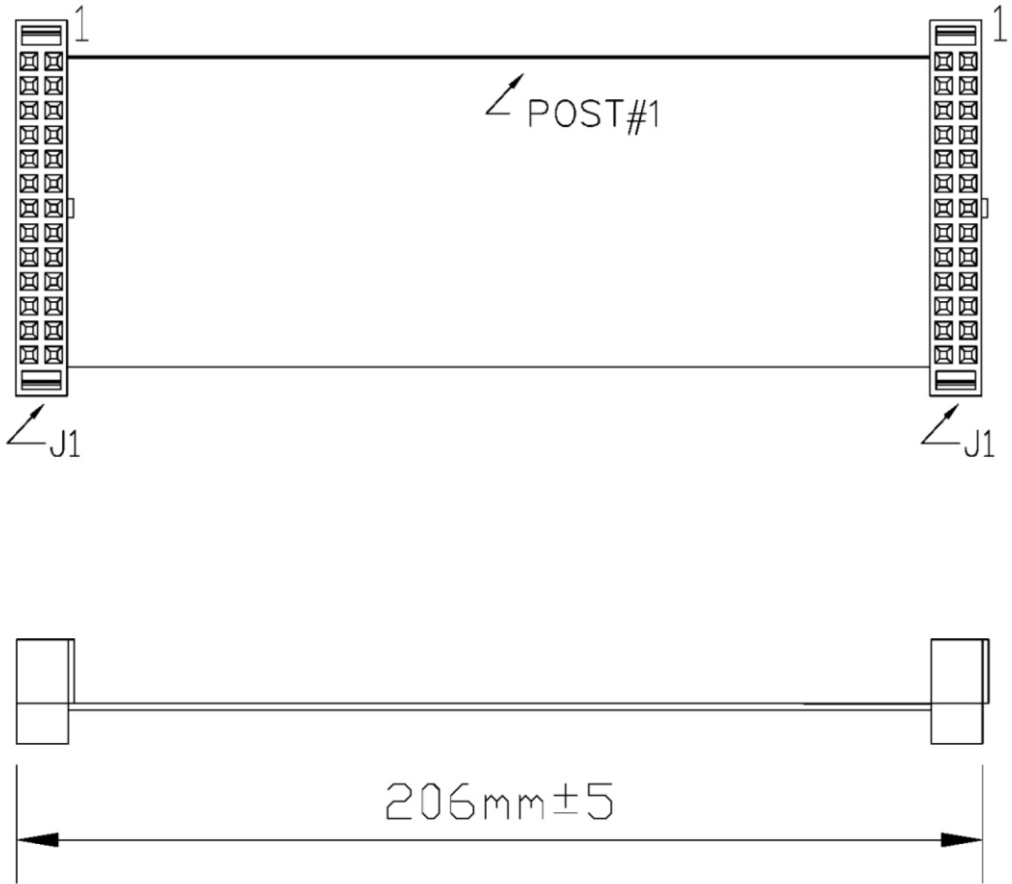


1 2 3 4 5 6 7 8 9 0

J
I
H
G
F
E
D
C
B
A



L03-26C FLAT CABLE 0.635mm AWM2678 150V 105°

HAF2X2-2626-FN8N-LF
LEADFREE

RoHS Compliant



PART NO. HAF2X2-2626-FN8N

DWG NO. HAF2X2-2626-FN8N

CHECKED BY CY

TOLERANCES ARE

DESCRIPTION:

FILE NO.

DRAWING BY

.X ± 0.2
.XX ±
.XXX ±
AWG

AREA	REVISIONS	HK	DATE
------	-----------	----	------

UNIT / mm

SCALE 1:1

PROJECTION

煜倫股份有限公司