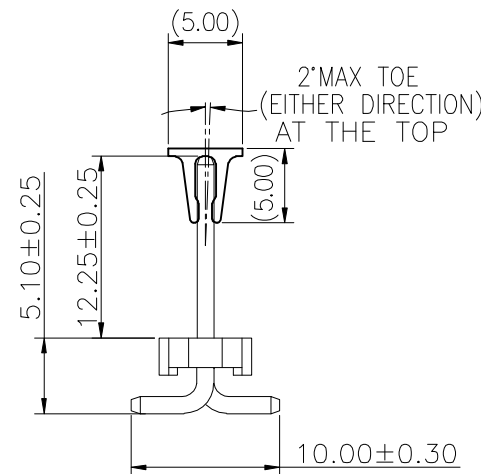
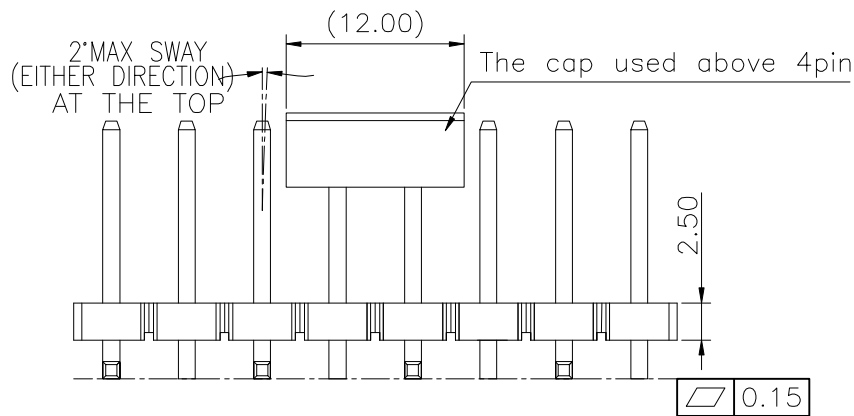
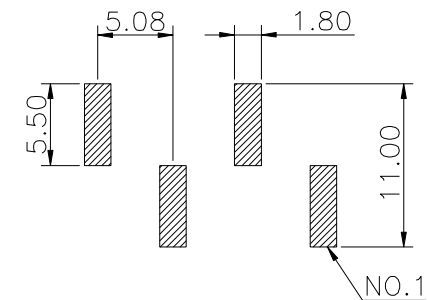


Specifications

Current Rating: 7.9Amp
 Insulation Resistance: 1000MΩMin.
 Dielectric Withstanding Voltage: 1000VAC
 Contact Resistance: 30mΩMax.
 Operating Temperature: -40°C to +105°C
 Materials
 Contact Material: Brass
 Insulator Material: High Temperature Thermoplastic, UL 94V-0 LCP or the equivalent material



Recommended P.C.Board Layout
 (Tolerance: ±0.05)



RoHS Compliant

TOLERANCES ARE

MORETHANALL
 PCB CONNECTORS
 Cable ASSEMBLIES

煜倫股份有限公司

www.morethanall.com

DRAWING BY CY

CHECKED BY GENIUS

UNIT / mm

SCALE 1 : 1

DATE

SIZE A4

X. ± 0.30

.X ± 0.25

.XX ± 0.15

.XXX ± 0.10

ANG ±

PJECTION

照片框

ORDER INFORMATION

H51-V51X122C-1XxxR-LF
 SERIES | 180°SMT | HIGH 5.10mm | NON POST | CAP | CONTACT 12.25mm | LEADFREE R TYPE FOOT | 1X02:02 WAY | 1X20:20 WAY

DESCRIPTION: Pitch 5.08mm Pin Header