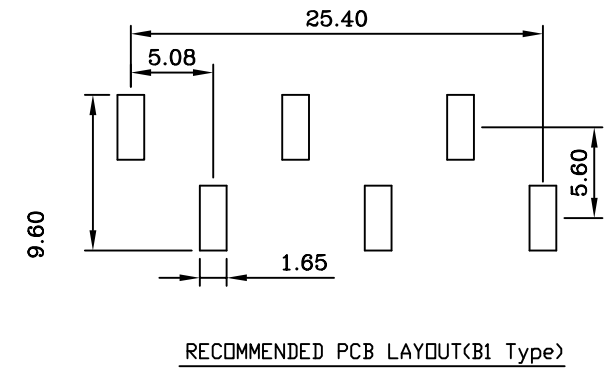
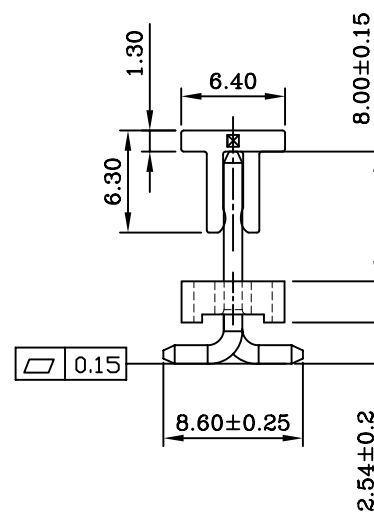
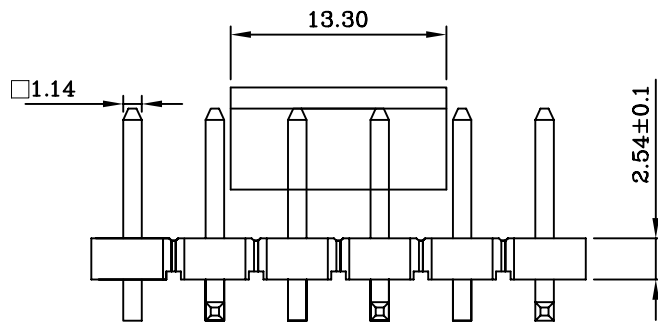
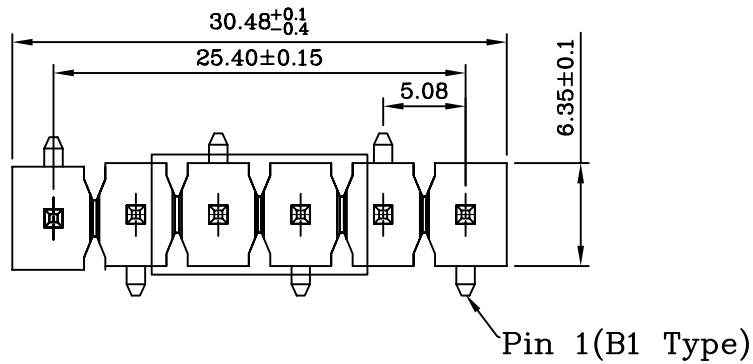


Technical Data :

Insulator Material: PA6T, UL 94V-0
 Color:black
 Contact : 1.14x1.14mm
 Contact Material: Brass
 Plating: Tin plated
 Current Rating : 8.2Amp 30°C Temperature Rise
 Insulator resistance : 1000 Megohms min.
 Dielectric withstanding : AC 500V for 1 Minute
 Operating Temperature: -40°C to +105°C.
 Max. processing Temp: 230°C for 30-60 seconds.
 260°C for 10 seconds.
 Mates with : Pitch 5.08mm



RoHS Compliant

TOLERANCES ARE

MORETHANALL
PCB CONNECTORS
Cable ASSEMBLIES

DRAWING BY CY

X, ±
.X ± 0.30

CHECKED BY GENIUS

.XX ± 0.20

UNIT / mm

SCALE 1 : 1

.XXX ±

ANG ± 3°

DATE

SIZE A4

PJECTION

照片框

ORDER INFORMATION

H51-V51X080C-1X06R-LF
 SERIES | | | | | LEADFREE
 180°SMT | | | | | R TYPE FOOT
 HIGH 5.08mm | | | | | CAP 06 WAY
 | | | | | CONTACT 8.0mm
 | | | | | NON POST

DESCRIPTION: PH3.96 SMT"B" H=3.18W=6.35 CAP+T/R

煜倫股份有限公司

www.morethanall.com