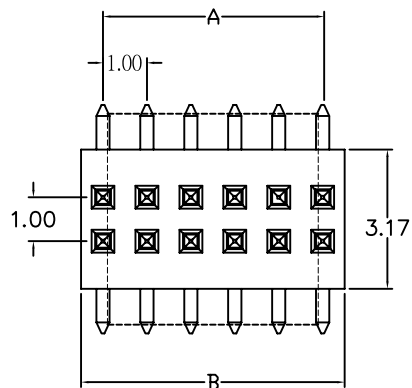
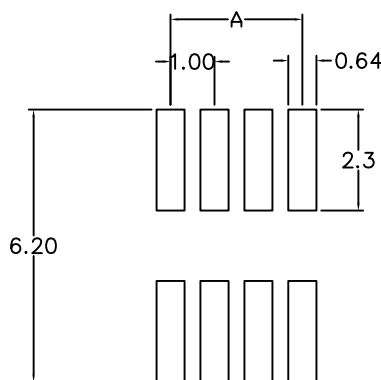


No. of Contacts	DIMENSIONS		REMARK (φ±)
	A	B	
6	2.00	3.00	○
8	3.00	4.00	○
10	4.00	5.00	○
12	5.00	6.00	○
14	6.00	7.00	○
16	7.00	8.00	○
18	8.00	9.00	○
20	9.00	10.00	○
22	10.00	11.00	○
24	11.00	12.00	○
26	12.00	13.00	○
28	13.00	14.00	○
30	14.00	15.00	○
32	15.00	16.00	○
34	16.00	17.00	○
36	17.00	18.00	○
38	18.00	19.00	○
40	19.00	20.00	○
42	20.00	21.00	○
44	21.00	22.00	○
46	22.00	23.00	○
48	23.00	24.00	○
50	24.00	25.00	○
52	25.00	26.00	○
54	26.00	27.00	○
56	27.00	28.00	○
58	28.00	29.00	○
60	29.00	30.00	○
62	30.00	31.00	○
64	31.00	32.00	○
66	32.00	33.00	○
68	33.00	34.00	○
70	34.00	35.00	○
72	35.00	36.00	○
74	36.00	37.00	○
76	37.00	38.00	○
78	38.00	39.00	○
80	39.00	40.00	○
82	40.00	41.00	○
84	41.00	42.00	○
86	42.00	43.00	○
88	43.00	44.00	○
90	44.00	45.00	○
92	45.00	46.00	○
94	46.00	47.00	○
96	47.00	48.00	○
98	48.00	49.00	○
100	49.00	50.00	○



Recommended PCB Layout
(PCB TOLERANCE ±0.05)

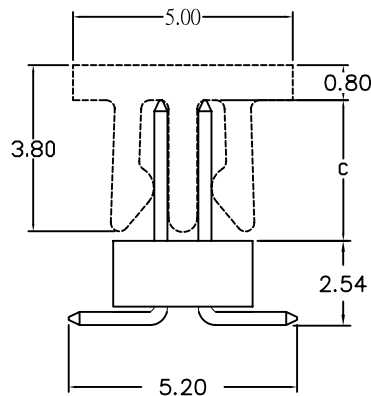
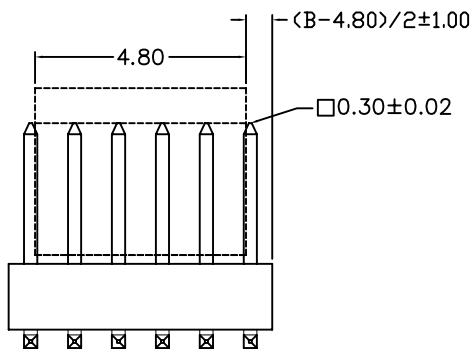


SPECIFICATIONS

- Current Rating: 1 Amp
- Insulator resistance: 5000 Megohms min.
- Dielectric withstanding: AC 500 V
- Operating Temperature: -40°~+105°C
- Max Processing Temp: 230° for 30 seconds
- Contact Material: Copper alloy
- Insulator Material: High Temperature Thermoplastic, UL 94V-0(L.C.P)
- Color: Black
- Finish: Tin, Gold plated
- ◎ Standard: Gold flash all over

H10-V25XxxC-2Xxx-LF
C"REMARK LEADFREE

RoHS Compliant



C "REMARK(備註)"		
1.90	○	
2.00		
4.00	○	
3.40		
4.50		
1.60	○	
3.20	○	
3.00		
3.80		

MORETHANALL
CONNECTORS
ASSEMBLIES

PART NO. H10-V25XxxC-2Xxx

DWG NO. H10-V25XxxC-2Xxx

FILE NO.

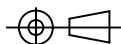
UNIT / mm

SCALE 1:1

CHECKED BY CY

DRAWING BY

PROJECTION



TOLERANCES ARE

.X ± 0.25

.XX ± 0.20

.XXX ±

AWG

DESCRIPTION: 1.0X1.0mm SMD HEADER

AREA

REVISIONS

HK

DATE

煜倫股份有限公司