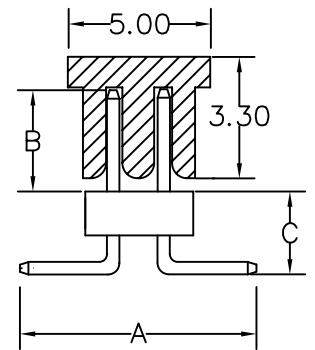
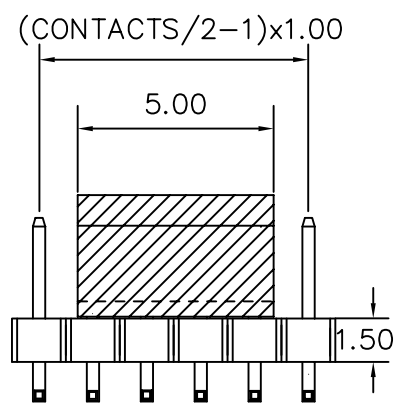


RECOMMENDED P.C.B LAYOUT



A: 4.80 mm B: 1.90 mm C: 1.90 mm

MATERIAL
HOUSING : THERMOPLASTIC UL94V-0
CONTACT : COPPER ALLOYS

SPECIFICATION
CURRENT: 1A
OPERATING TEMPERATURE: -40°C TO +105°C
CONTACT RESISTANCE : 20 MILLIOHMS MAX
INSULATION RESISTANCE : 5000 MEGAOHMS MIN
WITHSTANDING VOLTAGE : AC 500V RMS

H10-V19X19C-2Xxx-LF
 LEADFREE
 RoHS Compliant

CONTACTS	2X14	2X27	2X40
2X2	2X15	2X28	2X41
2X3	2X16	2X29	2X42
2X4	2X17	2X30	2X43
2X5	2X18	2X31	2X44
2X6	2X19	2X32	2X45
2X7	2X20	2X33	2X46
2X8	2X21	2X34	2X47
2X9	2X22	2X35	2X48
2X10	2X23	2X36	2X49
2X11	2X24	2X37	2X50
2X12	2X25	2X38	
2X13	2X26	2X39	

MORETHANALL
 CONNECTORS
 ASSEMBLIES

焯倫股份有限公司

PART NO. H10-V19X19C-2Xxx

DWG NO. H10-V19X19C-2Xxx

FILE NO.

UNIT / mm

SCALE 1:1

CHECKED BY CY

DRAWING BY

PROJECTION

TOLERANCES ARE
 .X ± 0.2
 .XX ±
 .XXX ±
 AWG

DESCRIPTION:

PIN HEADER 1.0 SMD

AREA	REVISIONS	HK	DATE