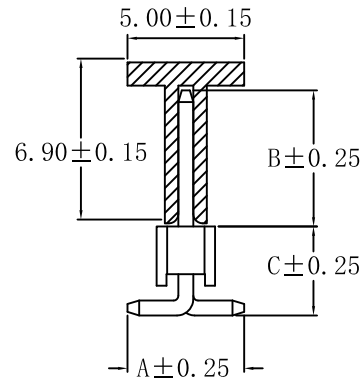


P. C. B. LAYOUT (TYPE-A)



A: 4.80 mm
 B: 5.84 mm
 C: 3.80 mm

MATERIAL

HOUSING : NY6T, UL-94V0
 CAP : NY6T, UL-94V0
 CONTACT : COPPER ALLOYS
 PLATED : TIN-PLATED
 COLOR : BLACK

SPECIFICATION

CURRENT : 3A
 OPERATING TEMPERAURE : -55° C TO +105° C
 CONTACT RESISTANCE : 20 MILLIOHMS MAX
 INSULATION RESISTANCE: 1000 MEGAOHMS MIN
 WITHSTAND VOLTAGE : 1000 V AC/Minite

CONTACTS			
	1×11	1×21	1×31
1×02	1×12	1×22	1×32
1×03	1×13	1×23	1×33
1×04	1×14	1×24	1×34
1×05	1×15	1×25	1×35
1×06	1×16	1×26	1×36
1×07	1×17	1×27	1×37
1×08	1×18	1×28	1×38
1×09	1×19	1×29	1×39
1×10	1×20	1×30	1×40

RoHS Compliant

TOLERANCES ARE

MORETHANALL
 PCB CONNECTORS
 Cable ASSEMBLIES

煜倫股份有限公司

www.morethanall.com

DRAWING BY CY

CHECKED BY GENIUS

UNIT / mm

SCALE 1:1

DATE

SIZE A4

X, ±
 .X ± 0.38
 .XX ± 0.25
 .XXX ±
 ANG ± 5°

P PROJECTION

照片框

ORDER INFORMATION

H-V38X58TC-1XxxR-LF
 SERIES | 180°SMT | HIGH 3.8mm | NON POST | CONTACT 5.84mm | CAP | TIN | LEADFREE | R TYPE FOOT POSITION | 1X02:02WAY | 1X40:40WAY

DESCRIPTION: